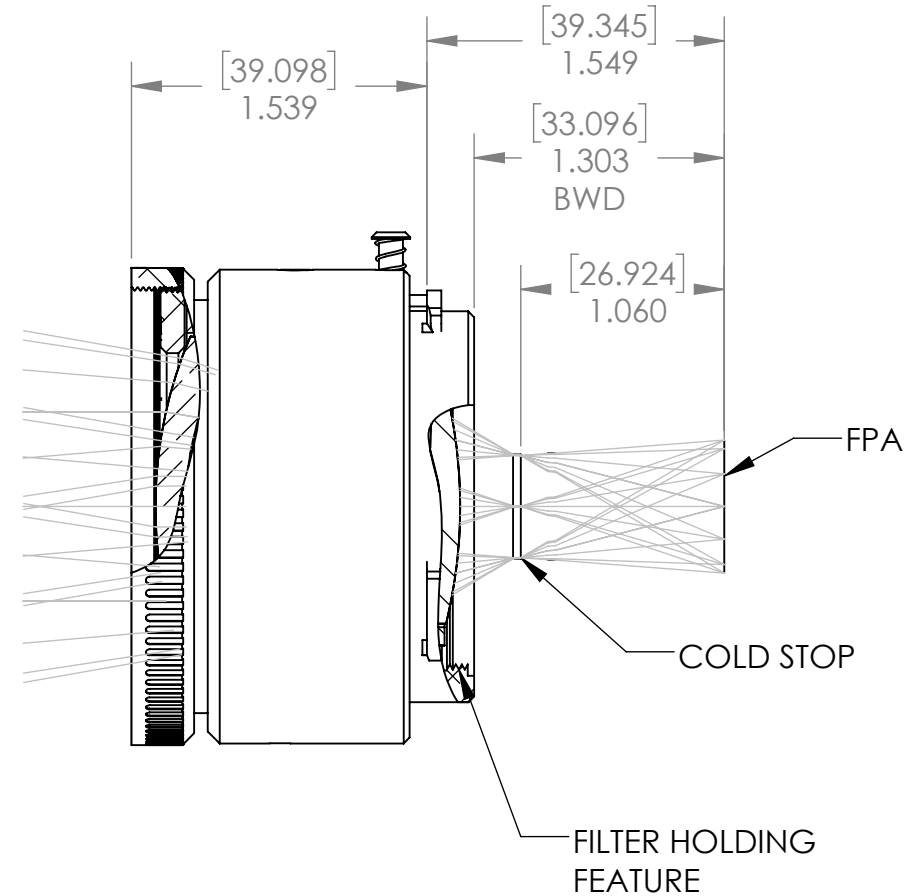
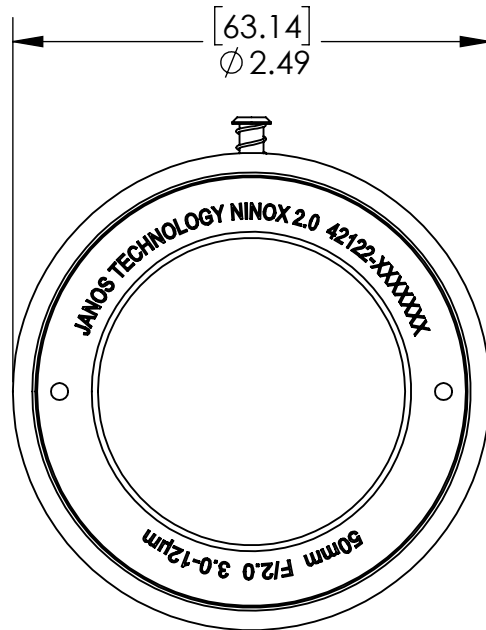


REVISIONS				
REV	ECO	DESCRIPTION	DATE	APVD
1	-	QUOTE ONLY	5/17/17	DAM



NOTES:

1. DRAWING IS IN ACCORDANCE WITH ANSI Y-14.5M-1994.

42122-AA1	
FOCAL LENGTH	50mm
FOV (Horizontal)	17.4°
Format	1280 x 720
Pixel size	12µm
Wavelength	3-12µm
F#	2.0
Weight	~TBD grams
Athermal	No
Interface Camera	BAYONET

PROJECTION: THIRD ANGLE

PROPRIETARY AND CONFIDENTIAL

THIS DOCUMENT CONTAINS INFORMATION WHICH IS PROPRIETARY AND IS THE PROPERTY OF JANOS TECHNOLOGY INC. AND MAY NOT BE USED, REPRODUCED, OR DISCLOSED IN ANY MANNER WITHOUT THE EXPRESSED WRITTEN PERMISSION OF JANOS TECHNOLOGY INC.

UNLESS OTHERWISE SPECIFIED: DIMENSIONS ARE IN INCHES METRIC EQUIVALENTS IN BRACKETS [mm]			
ANG.	X.XX	X.XXX	X.XXXX
±1/2°	±0.010	±0.005	+0.0005 -0.0000
DRAWN	DAM	5/17/17	
CHECKED			
ENG APPR.			
MFG APPR.			
Q.A.			

55 BLACK BROOK ROAD, KEENE, NH 03431 U.S.A.

TITLE: **50mm 2P0 3-12**

SIZE	DWG. NO.	REV
A	42122-ICD	1

SCALE: 1:1 CAGE: 66810 SHEET 1 OF 1