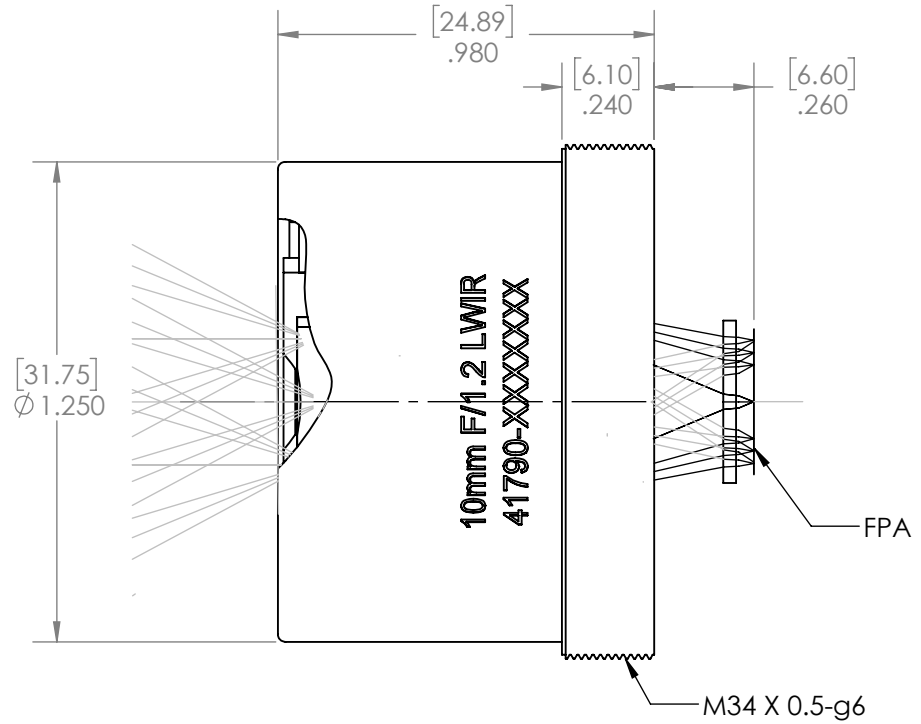
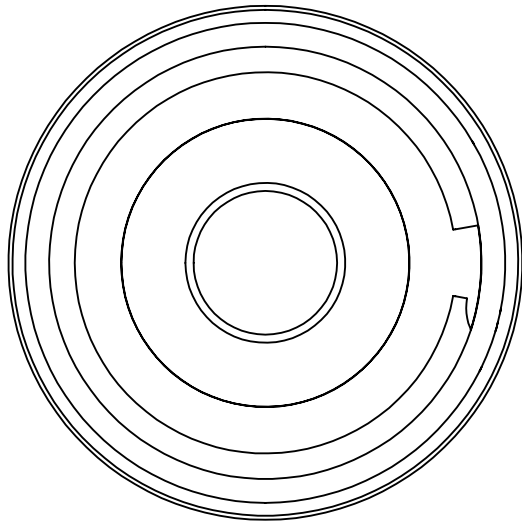
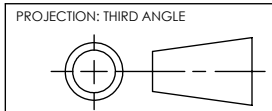
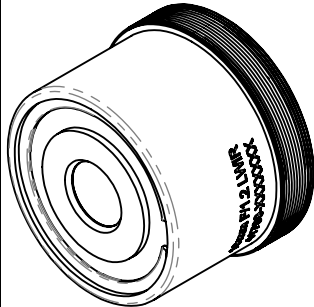


REVISIONS			
REV.	DESCRIPTION	DATE	APPROVED
1	ENGINEERING RELEASE	9/23/13	D.A.M.



41790-001	
FOCAL LENGTH	10mm
FOV (Horizontal)	44.7°
Format	640 X 512
Pixel size	12µm
Wavelength	8-14µm
F#	1.2
Weight	<30gr
Athermal	Yes
Interface Camera	M25X0.5 (6.60)

SCALE 1:1



PROPRIETARY AND CONFIDENTIAL

THIS DOCUMENT CONTAINS INFORMATION WHICH IS PROPRIETARY AND IS THE PROPERTY OF JANOS TECHNOLOGY INC. AND MAY NOT BE USED, REPRODUCED, OR DISCLOSED IN ANY MANNER WITHOUT THE EXPRESSED WRITTEN PERMISSION OF JANOS TECHNOLOGY INC.

UNLESS OTHERWISE SPECIFIED: DIMENSIONS ARE IN INCHES METRIC EQUIVALENTS IN BRACKETS [mm]

ANG.	X.XX	X.XXX	X.XXXX
±1/2°	±0.010	±0.005	+0.0005 -0.0000
DRAWN	D.A.M.	6/27/13	
CHECKED			
ENG APPR.			
MFG APPR.			
Q.A.			



55 BLACK BROOK ROAD, KEENE, NH 03431 U.S.A.

TITLE: 10mm F/1.2 LWIR

SIZE	DWG. NO.	REV
A	41790-ICD	1
SCALE: 2:1	CAGE: 66810	SHEET 1 OF 1