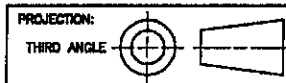
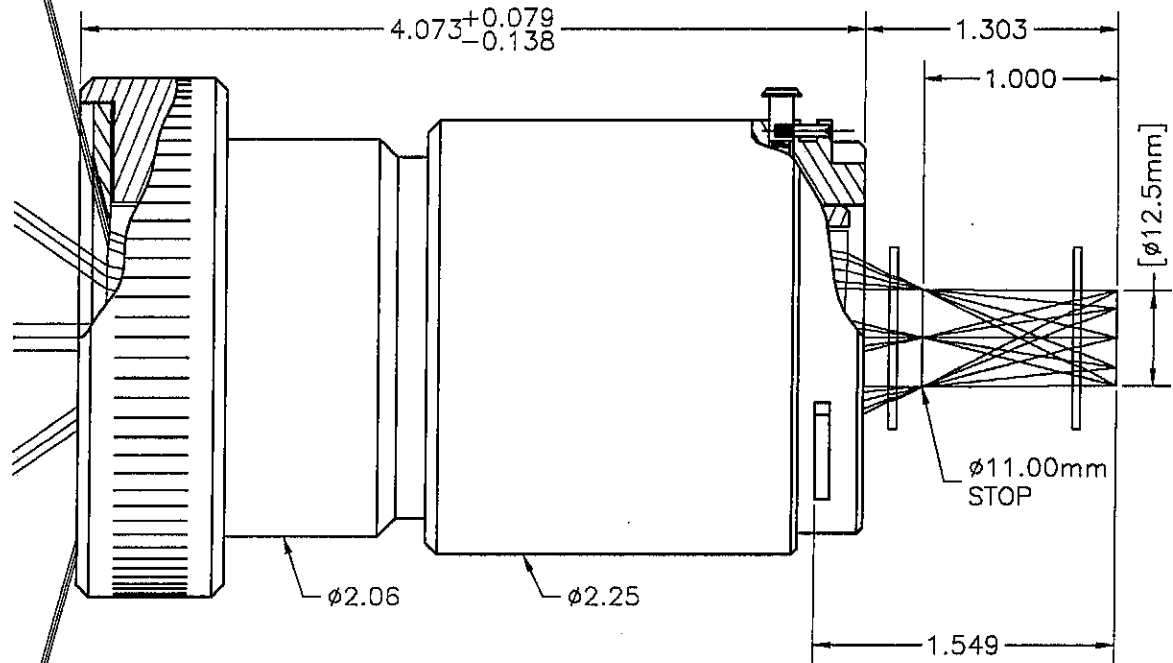
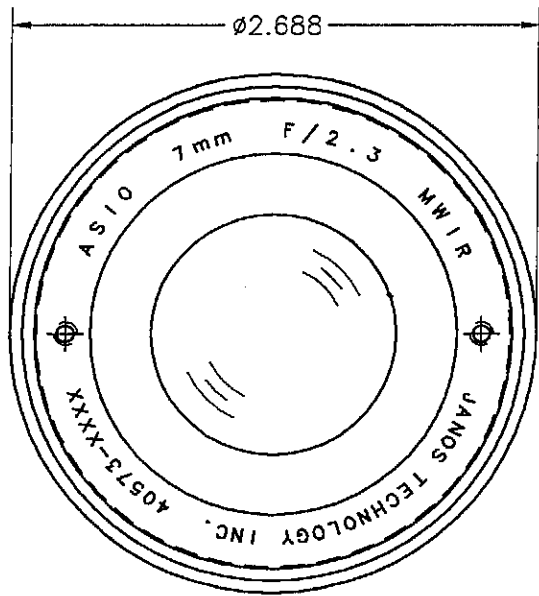


REV:	ECO:	DESCRIPTION:	DWN:	DATE:	CHK:
A		PRODUCTION RELEASE	T.A.P.	8/28/01	
B	#3023	REVISION CHANGES	T.A.P.	3/12/02	



PROPRIETARY:
 THIS DOCUMENT CONTAINS INFORMATION WHICH IS PROPRIETARY AND IS THE PROPERTY OF JANOS TECHNOLOGY INC. AND MAY NOT BE USED, REPRODUCED, OR DISCLOSED IN ANY MANNER WITHOUT THE EXPRESSED WRITTEN PERMISSION OF JANOS TECHNOLOGY INC.

UNLESS OTHERWISE SPECIFIED DIMENSIONS ARE IN INCHES METRIC EQUIVALENT IN BRACKETS [MM]

ANG.	2 PL	3 PL	HOLES
±X/X'	±X.XXX	±X.XXX	±X.XXX

DO NOT SCALE DRAWING

DRAWN:	T.A.P.	DATE:	8/28/01
CHECK:		DATE:	
ENGINEER:	<i>[Signature]</i>	DATE:	3/13/02
APPROVED:		DATE:	

1068 GRAFTON ROAD, ROUTE 35
 TOWNSHEND, VT 05353 U.S.A.

TITLE: ASIO SERIES
 7mm F/2.3 MWIR

SIZE:	DRAWING NUMBER:	REVISION:
A	40573-AA1	B
SCALE: N.T.S.	FSCM: BN558	SHEET: 1 OF 2