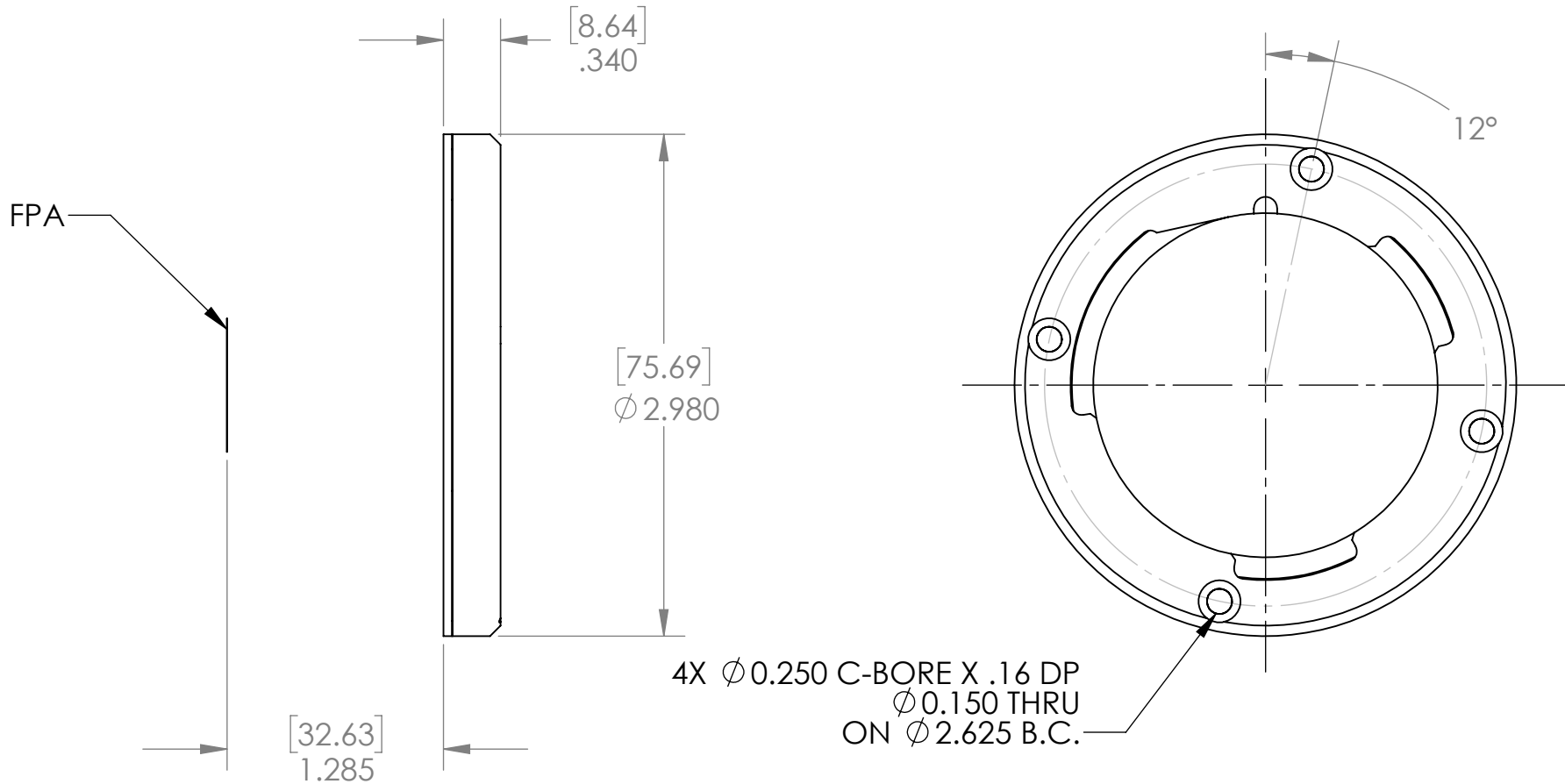
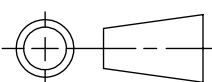



REVISIONS				
ECO	REV.	DESCRIPTION	DATE	APPROVED
-	2	UPDATED TO S.W. DRAWING	8/27/2020	SCV



PROJECTION: THIRD ANGLE 	UNLESS OTHERWISE SPECIFIED: DIMENSIONS ARE IN INCHES METRIC EQUIVALENTS IN BRACKETS [mm]				 55 BLACK BROOK ROAD, KEENE, NH 03431 U.S.A.	
	PROPRIETARY AND CONFIDENTIAL  THIS DOCUMENT CONTAINS INFORMATION WHICH IS PROPRIETARY AND IS THE PROPERTY OF JANOS TECHNOLOGY INC. AND MAY NOT BE USED, REPRODUCED, OR DISCLOSED IN ANY MANNER WITHOUT THE EXPRESSED WRITTEN PERMISSION OF JANOS TECHNOLOGY INC.	ANG. X.XX X.XXX X.XXXX $\pm 1/2^\circ$ $\pm 0.010$ $\pm 0.005$ $+0.0005$ $-0.0000$	DRAWN SCV 8/27/2020 CHECKED DAM 3/15/22 ENG APPR. MFG APPR. Q.A.	TITLE: <b>BAYONET MOUNT</b>		
		SCALE: 1:2	CAGE: 66810	SHEET 1 OF 1		