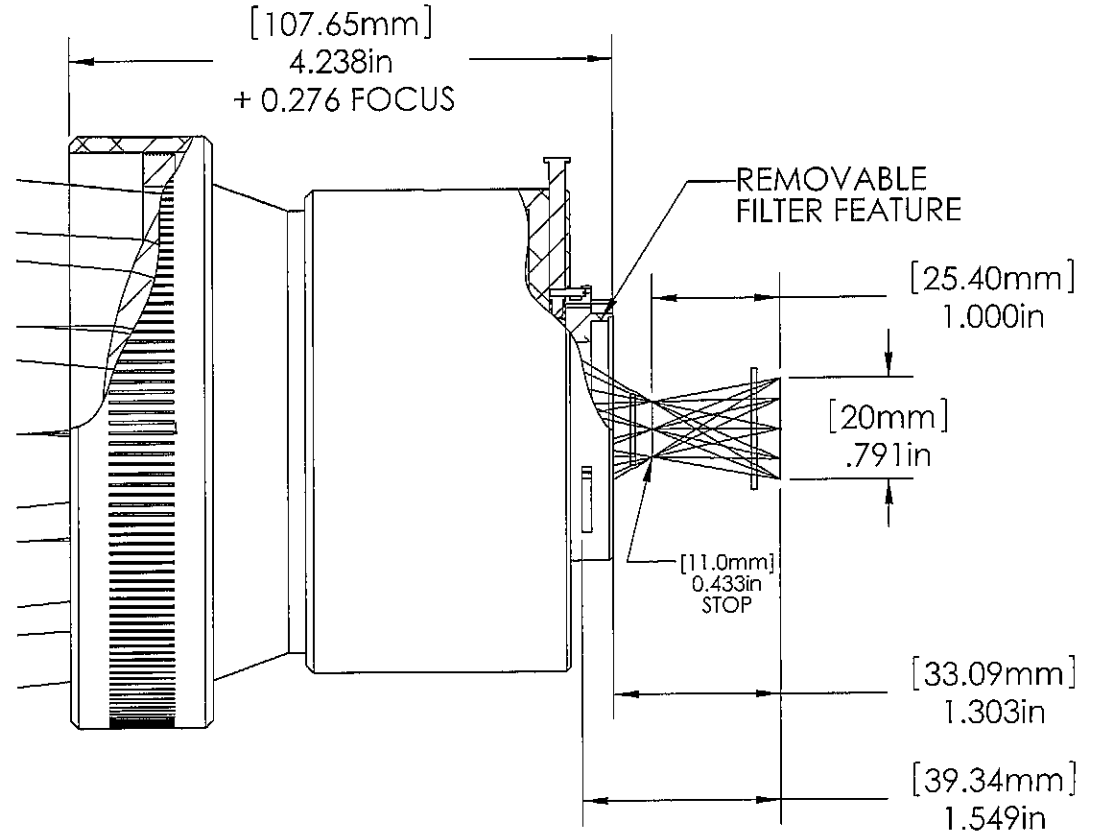
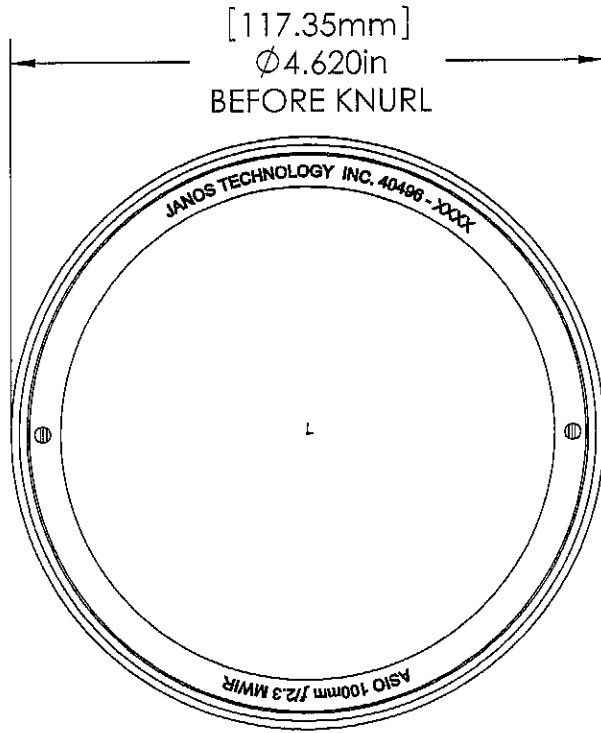
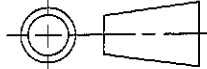


REVISIONS			
REV.	DESCRIPTION	DATE	APPROVED
A	PRINT RELEASED	4/6/99	T.A.P.
B	SEE ECO #2820	4/20/01	T.A.P.
C	SEE ECO #2943	10/25/01	T.A.P.
D	SEE ECO #3424	1/13/04	T.A.P.
E	SEE ECO #4444	7/9/08	JMB



PROJECTION: THIRD ANGLE



UNLESS OTHERWISE SPECIFIED:
 DIMENSIONS ARE IN INCHES
 METRIC EQUIVALENTS IN
 BRACKETS [mm]

PROPRIETARY AND CONFIDENTIAL

THIS DOCUMENT CONTAINS
 INFORMATION WHICH IS PROPRIETARY
 AND IS THE PROPERTY OF JANOS
 TECHNOLOGY INC. AND MAY NOT BE
 USED, REPRODUCED, OR DISCLOSED IN
 ANY MANNER WITHOUT THE EXPRESSED
 WRITTEN PERMISSION OF JANOS
 TECHNOLOGY INC.

ANG.	X.XX	X.XXX	X.XXXX
$\pm 1/2^\circ$	± 0.010	± 0.005	$+0.0005$ -0.0000
DRAWN	JMB	7/9/08	
CHECKED	RR	9/11/08	
ENG APPR.			
MFG APPR.			
Q.A.			

JANOSTM
 TECHNOLOGY

55 BLACK BROOK ROAD, KEENE, NH 03431 U.S.A.

TITLE:		ASIO SERIES	
		100mm f/2.3 MWIR - JANOS	
SIZE	DWG. NO.	REV	
A	40496-AA1	E	
SCALE: 1:1.5		CAGE: 66810	SHEET 1 OF 2