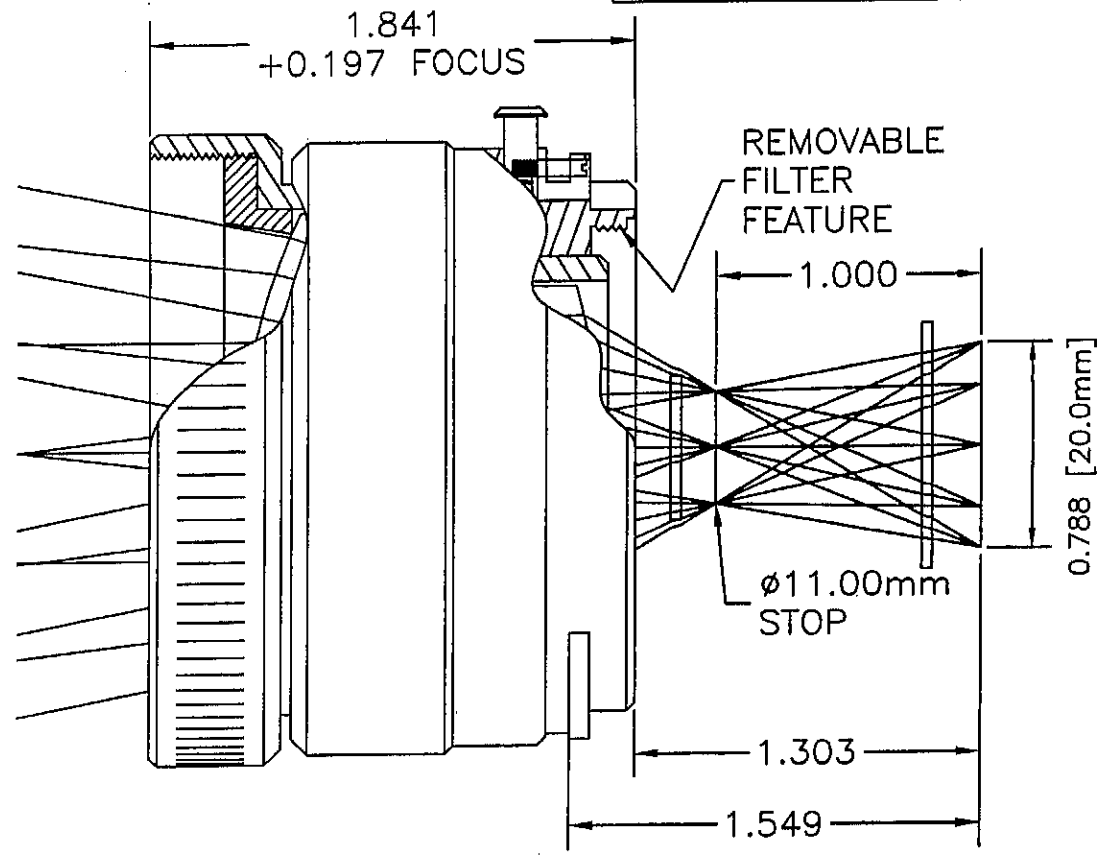
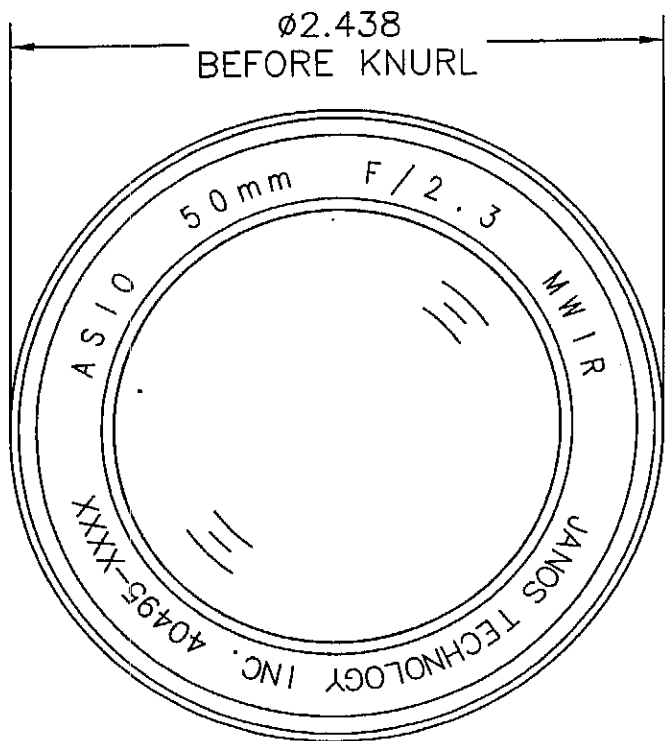



REVISIONS			
REV	DESCRIPTION	DATE	APVD
A	PRINT RELEASED	3/29/00	T.A.P.
B	SEE ECO #2821	6/2/00	T.A.P.
C	SEE ECO #2818	4/20/01	T.A.P.
D	SEE ECO #2941	10/25/01	T.A.P.
E	SEE ECO #3035	4/4/02	T.A.P.
F	SEE ECO #3273	4/23/03	T.A.P.



PROPRIETARY

THIS DRAWING DOCUMENT CONTAINS INFORMATION WHICH IS PROPRIETARY AND IS THE PROPERTY OF JANOS TECHNOLOGY INC. AND MAY NOT BE USED, REPRODUCED, OR DISCLOSED IN ANY MANNER WITHOUT THE EXPRESSED WRITTEN PERMISSION OF JANOS TECHNOLOGY INC.

DATE:	3/29/00	 ROUTE 35 1068 GRAFTON ROAD TOWNSHEND, VT 05353 U.S.A.	
DRAWN BY:	T.A.P.		
CHK BY:	J.K.M.	TITLE: ASIO SERIES	
APVD BY:		50mm F/2.3 MWIR - JANOS	
APVD BY:		SIZE: A	FSCM: 8N558
APVD BY:		DRAWING NO.: 40495-AA1	
APVD BY:		SCALE: NTS	SHEET: 1 OF 2