

**PROPRIETARY**

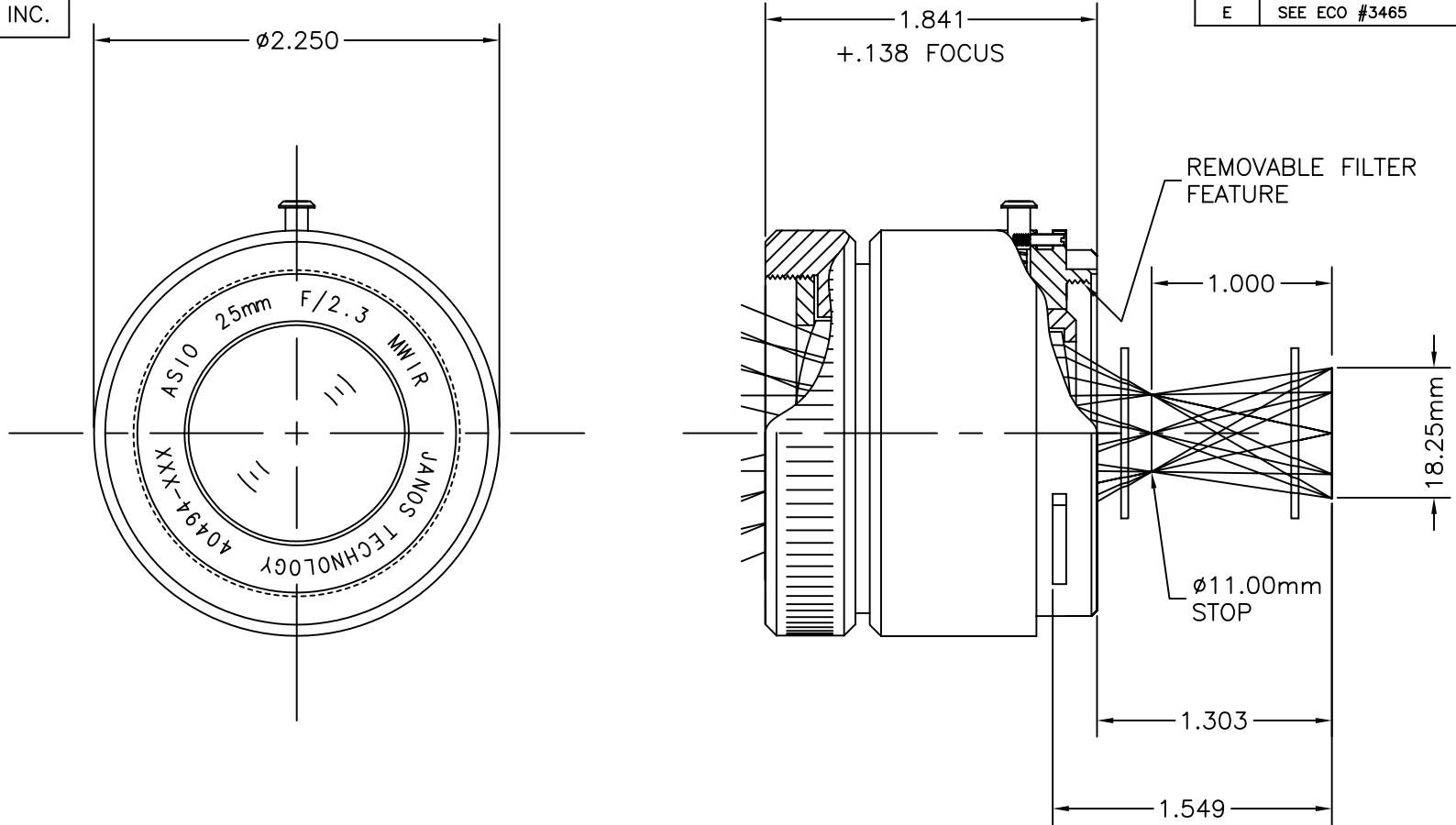
THIS DRAWING DOCUMENT CONTAINS INFORMATION WHICH IS PROPRIETARY AND IS THE PROPERTY OF

JANOS TECHNOLOGY INC.

AND MAY NOT BE USED, REPRODUCED OR DISCLOSED IN ANY MANNER WITHOUT THE EXPRESSED WRITTEN PERMISSION OF

JANOS TECHNOLOGY INC.

REVISIONS			
REV	DESCRIPTION	DATE	APVD
A	PRINT RELEASED	3/27/00	DAM
B	SEE ECO #2626	6/15/00	DAM
C	SEE ECO #2699	10/23/00	TAP
D	SEE ECO #2814	4/20/01	TAP
E	SEE ECO #3465	3/10/04	TAP



DATE 3/27/00

DRAWN BY D.A.M

CHK BY

APVD BY

APVD BY

APVD BY

**JANOS** TECHNOLOGY INC. Route 35, 1068 GRAFTON RD. TOWNSHEND, VT 05353 U.S.A.

TITLE 25mm F/2.3 MWIR ASIO SERIES - JANOS

SIZE	FSCM	DRAWING NO.	REV
A	8N558	40494-AA1	E

SCALE: 1:1 SHEET 2 OF 2