

PROPRIETARY

THIS DRAWING DOCUMENT CONTAINS
INFORMATION WHICH IS PROPRIETARY
AND IS THE PROPERTY OF

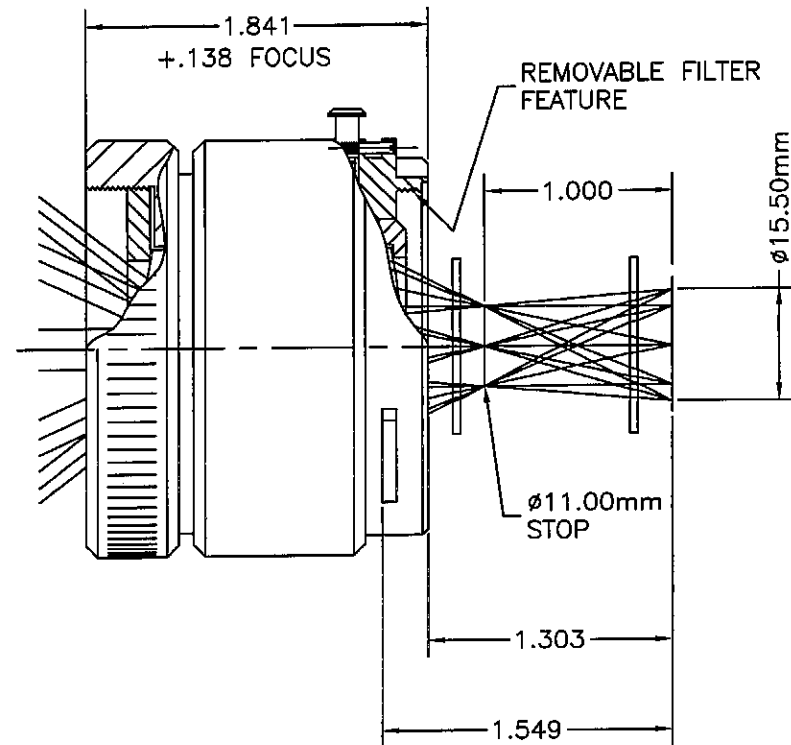
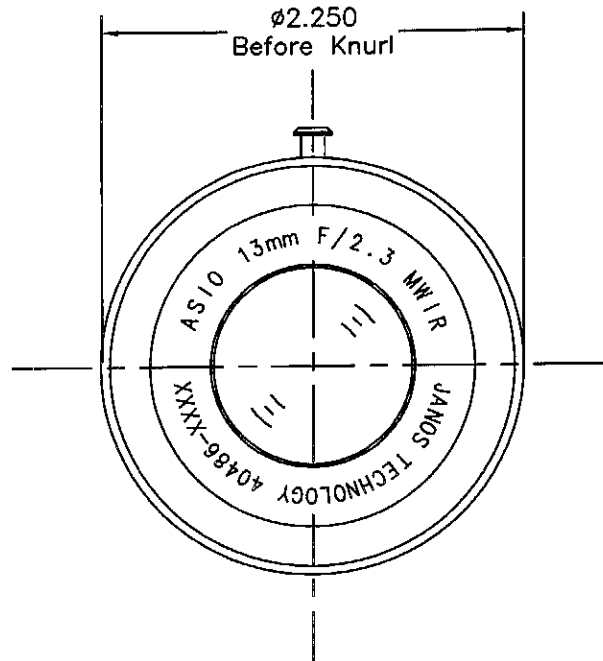
JANOS TECHNOLOGY INC.

AND MAY NOT BE USED, REPRODUCED
OR DISCLOSED IN ANY MANNER
WITHOUT THE EXPRESSED WRITTEN
PERMISSION OF

JANOS TECHNOLOGY INC.

REVISIONS

REV	DESCRIPTION	DATE	APVD
A	PRINT RELEASED	3/28/00	DAM
B	SEE ECO #2581	4/20/00	TAP
C	SEE ECO #2700	10/23/00	TAP
D	SEE ECO #2817	4/20/01	TAP
E	SEE ECO #3099	8/2/02	DAM



DATE 3/28/00

DRAWN BY D.A.M

CHK BY

APVD BY *8/2/02*

APVD BY

APVD BY

JANOS
TECHNOLOGY INC.

Route 35, 1068 GRAFTON RD.
TOWNSHEND, VT 05353
U.S.A.

TITLE ASIO SERIES
13mm F/2.3 MWIR - JANOS

SIZE	FSCM	DRAWING NO.	REV
A	8N558	40486-AA1	E

SCALE: 1:1 SHEET 2 of 2