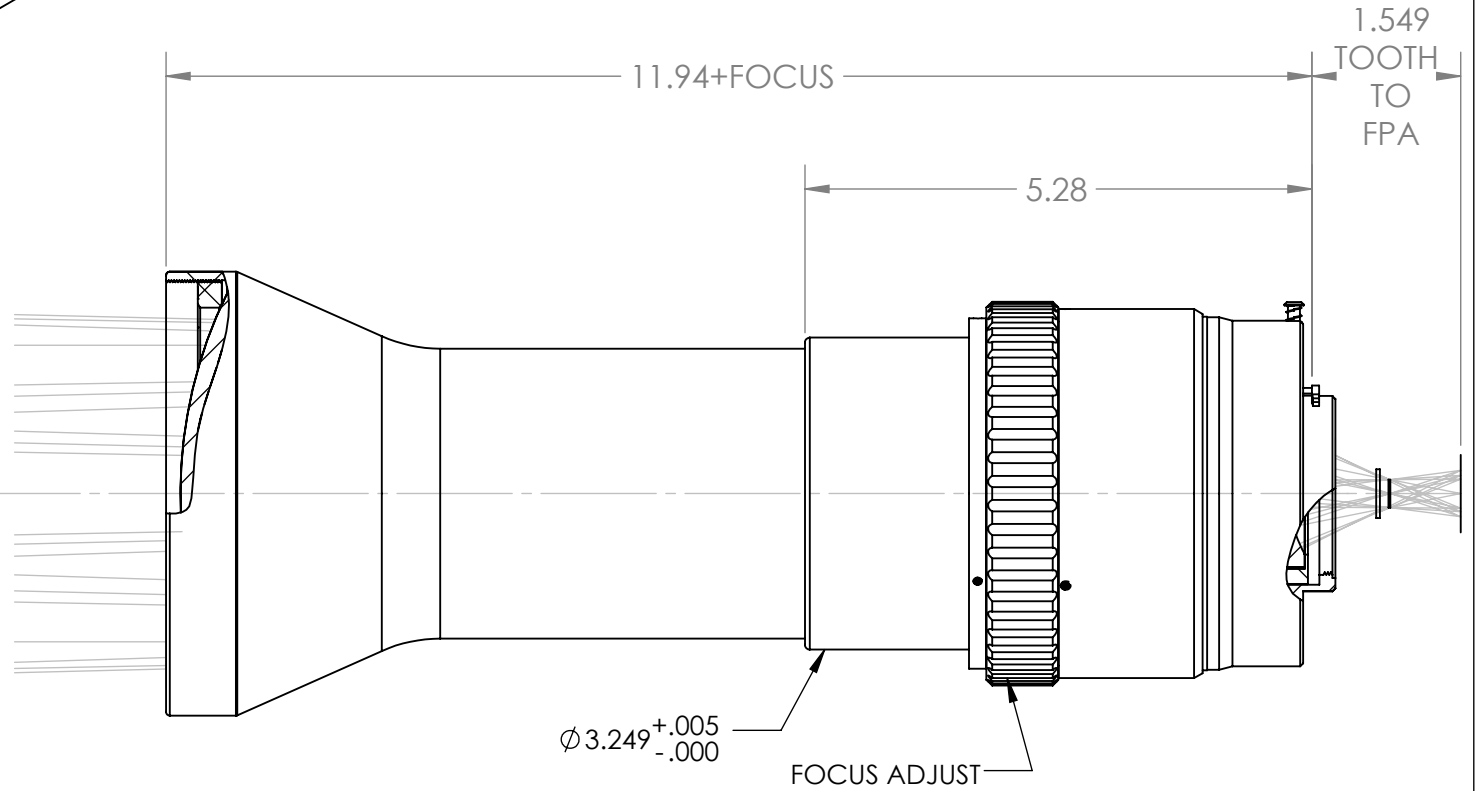
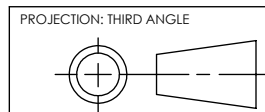


REVISIONS				
REV	ECO	DESCRIPTION	DATE	APPROVED
A	6497	PRODUCTION RELEASE	1/30/2017	DAS
	6552	ENGRAVING CHANGE	3/15/2017	DAS



41885-AA1		
FOCAL LENGTH	200mm	200mm
FOV (Horizontal)	4.58°	2.75°
Format	640 X 512	640 X 512
Pixel size	25µm	15µm
Wavelength	3-5µm	3-5µm
F#	2.5	2.5
Weight	<2600 grams	<2600 grams
Athermal	No	No
Interface Camera	Janos Bayonet	Janos Bayonet



PROPRIETARY AND CONFIDENTIAL

THIS DOCUMENT CONTAINS INFORMATION WHICH IS PROPRIETARY AND IS THE PROPERTY OF JANOS TECHNOLOGY INC. AND MAY NOT BE USED, REPRODUCED, OR DISCLOSED IN ANY MANNER WITHOUT THE EXPRESSED WRITTEN PERMISSION OF JANOS TECHNOLOGY INC.

UNLESS OTHERWISE SPECIFIED: DIMENSIONS ARE IN INCHES METRIC EQUIVALENTS IN BRACKETS [mm]

ANG.	X.XX	X.XXX	X.XXXX
±1/2°	±0.010	±0.005	+0.0005 -0.0000
DRAWN	DAM	12/10/15	
CHECKED	WJW	4/5/17	
ENG APPR.	TO	3/30/17	
MFG APPR.	HH	3/22/17	
Q.A.	JL	3/24/17	



55 BLACK BROOK ROAD, KEENE, NH 03431 U.S.A.

TITLE:		MWIR 200MM 2P5	
SIZE	DWG. NO.	REV	
B	41885-ICD	B	
SCALE: 1:2	CAGE: 66810	SHEET 1 OF 1	