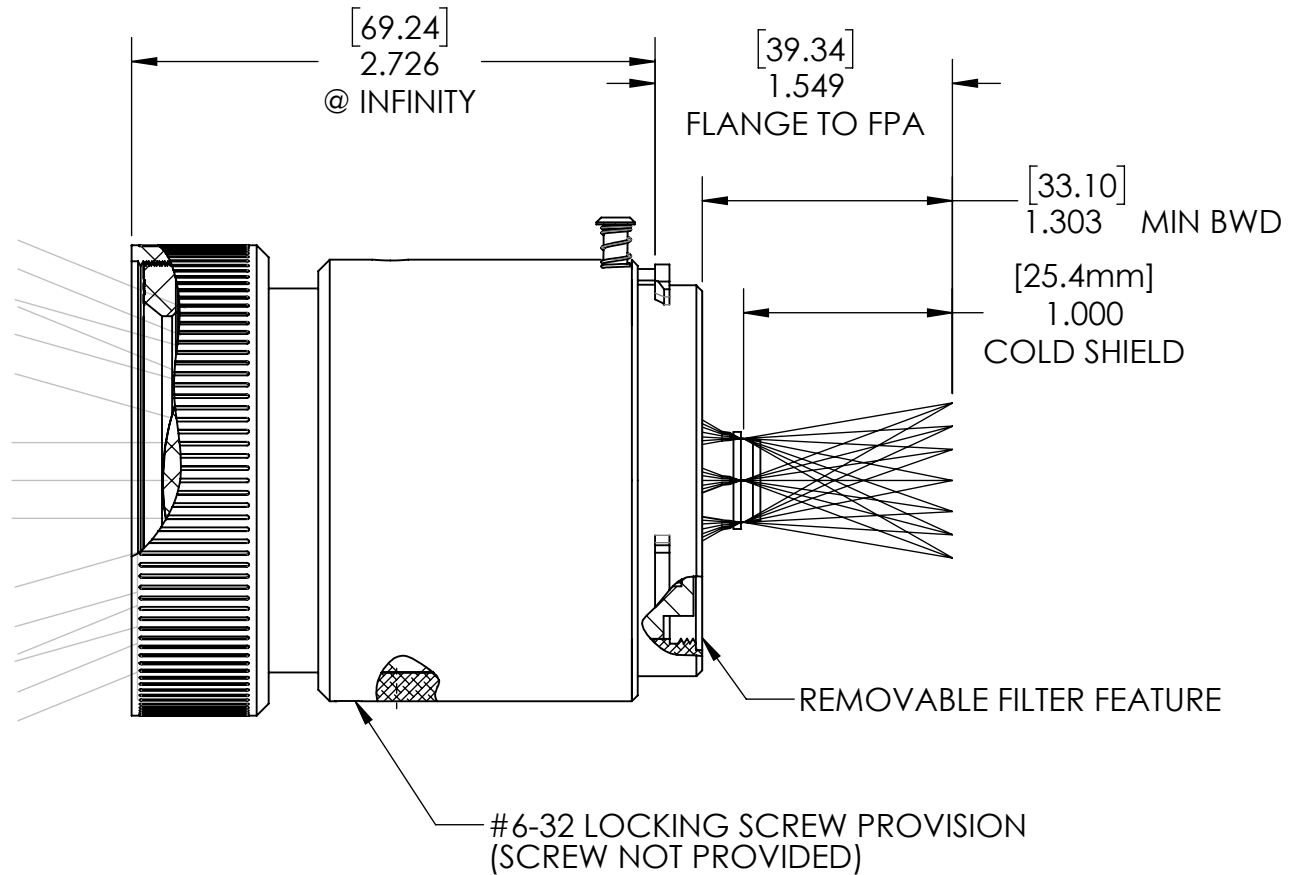
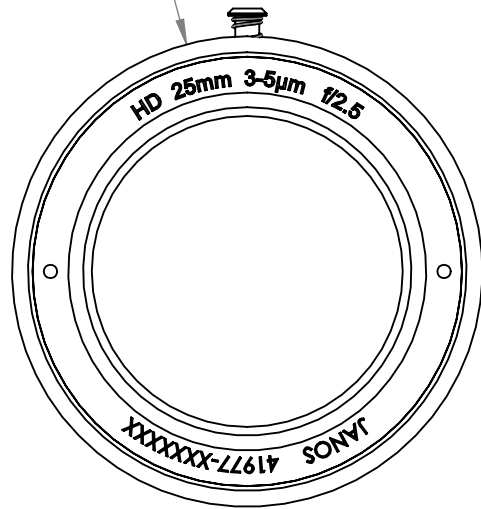


REVISIONS		DESCRIPTION	DATE	APPROVED
ECO	REV.	ENGINEERING RELEASE	9/27/22	KKY
	1			

Ø 2.450



41977-AA1	
FOCAL LENGTH	25mm
FOV (Horizontal)	34.2°
Format	1280 X 1024
Pixel size	12µm
Wavelength	3-5µm
F#	2.5
Weight	~374g
Athermal	No
Interface Camera	JANOS IR BAYONET

PROJECTION: THIRD ANGLE

**PROPRIETARY AND CONFIDENTIAL**

THIS DOCUMENT CONTAINS INFORMATION WHICH IS PROPRIETARY AND IS THE PROPERTY OF JANOS TECHNOLOGY INC. AND MAY NOT BE USED, REPRODUCED, OR DISCLOSED IN ANY MANNER WITHOUT THE EXPRESSED WRITTEN PERMISSION OF JANOS TECHNOLOGY INC.

UNLESS OTHERWISE SPECIFIED: DIMENSIONS ARE IN INCHES METRIC EQUIVALENTS IN BRACKETS [mm]

ANG.	X.XX	X.XXX	X.XXXX
±1/2°	±0.010	±0.005	+0.0005 -0.0000
DRAWN	DAM	6/26/15	
CHECKED		10/5/22	
ENG APPR.			
MFG APPR.			
Q.A.			

55 BLACK BROOK ROAD, KEENE, NH 03431 U.S.A.

TITLE: HD 25mm f/2.5 3-5µm

SIZE	DWG. NO.	REV
A	41977-ICD	1

SCALE: 1:1    CAGE: 66810    SHEET 1 OF 1