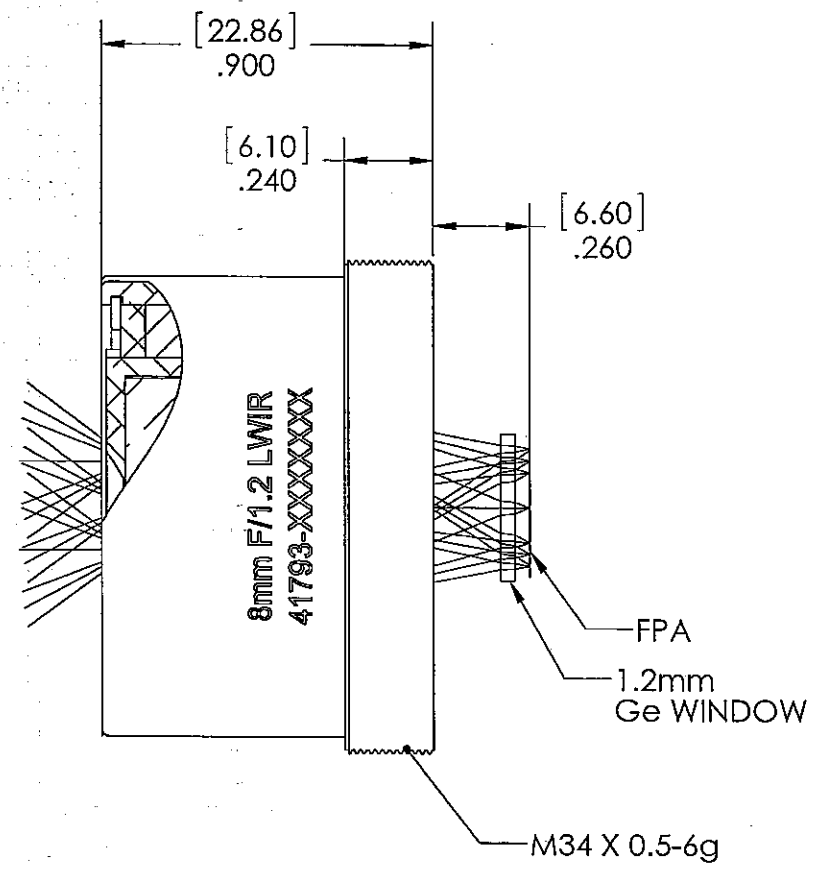
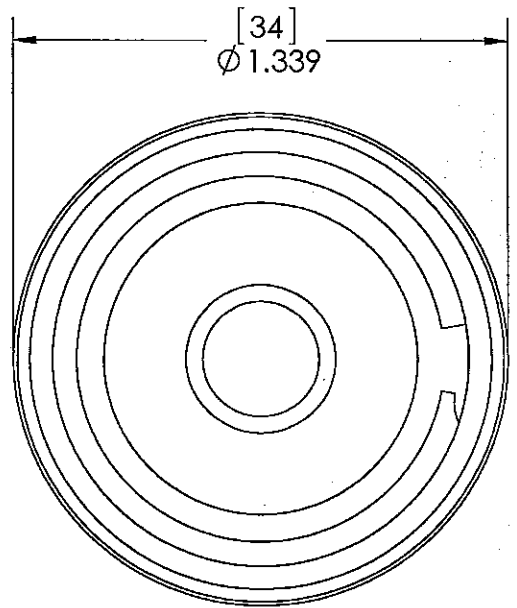
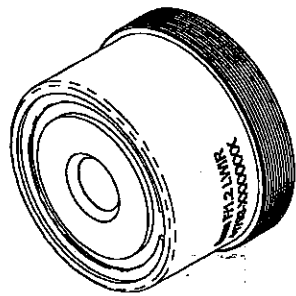


| REV. | DESCRIPTION | DATE | APPROVED |
|------|---------------------|----------|----------|
| 1 | ENGINEERING RELEASE | 11/21/14 | DAM |



| PART #41793-001 | |
|------------------|---------------|
| FOCAL LENGTH | 8mm |
| FOV (Horizontal) | 57° |
| Format | 640 X 480 |
| Pixel size | 12µm |
| Wavelength | 8-14µm |
| F# | 1.2 |
| Weight | <45gr |
| Athermal | Yes |
| Interface Camera | M34X0.5 (6.6) |

SCALE 1:1



PROJECTION: THIRD ANGLE

PROPRIETARY AND CONFIDENTIAL

THIS DOCUMENT CONTAINS INFORMATION WHICH IS PROPRIETARY AND IS THE PROPERTY OF JANOS TECHNOLOGY INC. AND MAY NOT BE USED, REPRODUCED, OR DISCLOSED IN ANY MANNER WITHOUT THE EXPRESSED WRITTEN PERMISSION OF JANOS TECHNOLOGY INC.

| UNLESS OTHERWISE SPECIFIED: DIMENSIONS ARE IN INCHES METRIC EQUIVALENTS IN BRACKETS (mm) | | | |
|---|--------|----------|--------------------|
| ANG. | X.XX | X.XXX | X.XXXX |
| ±1/2° | ±0.010 | ±0.005 | +0.0005 -0.0000 |
| DRAWN | D.A.M. | 11/25/14 | |
| CHECKED | | | |
| ENG APPR. | | | |
| MFG APPR. | | | |
| Q.A. | | | |

DAF 11-26-14

55 BLACK BROOK ROAD, KEENE, NH 03431 U.S.A.

| | | |
|---------------------------------|------------------------------|-----------------|
| TITLE: 8mm f/1.2 LWIR | | |
| SIZE A | DWG. NO. 41793-ICD | REV 1 |
| SCALE: 2:1 | CAGE: 66810 | SHEET 1 OF 1 |