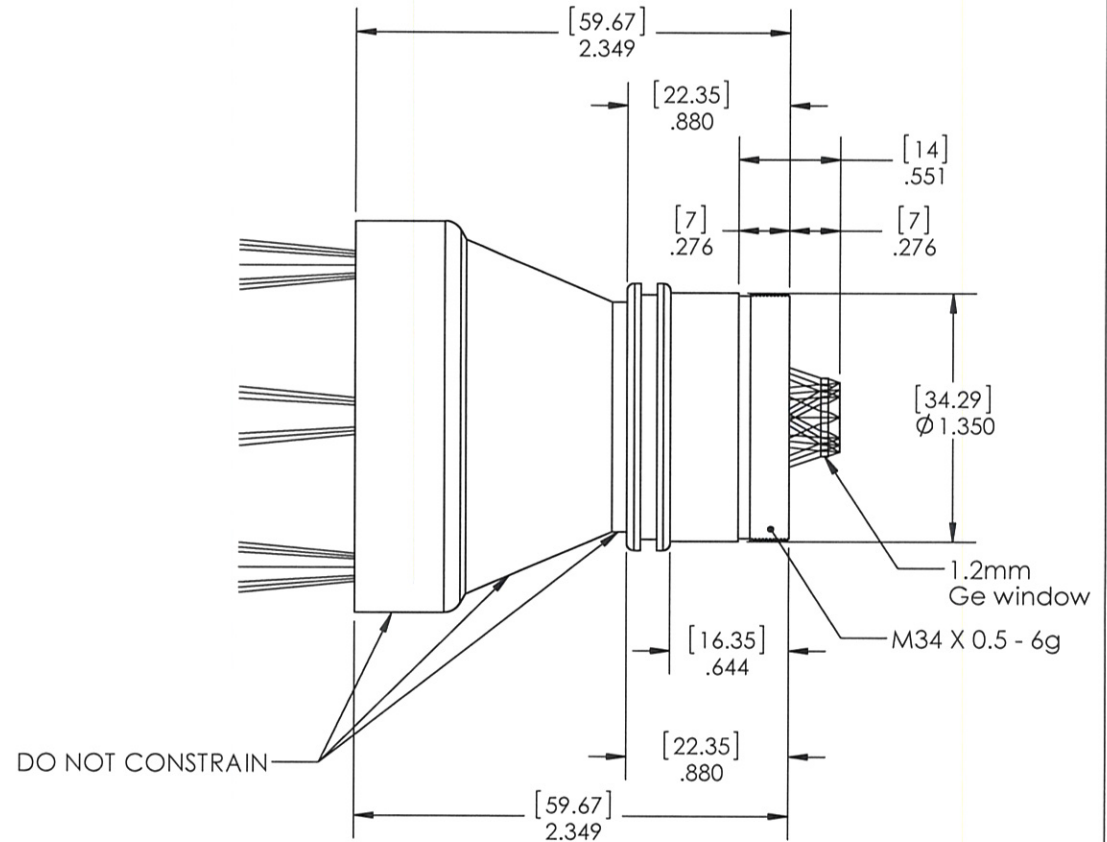
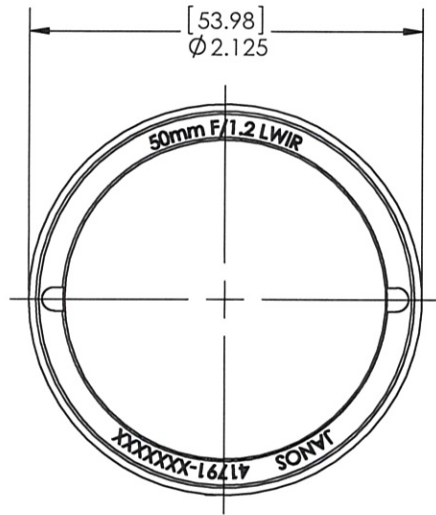


REVISIONS				
ZONE	REV.	DESCRIPTION	DATE	APPROVED
	1	ENGINEERING RELEASE	11/13/14	DAM
	2	BWD INCREASED	7/2/2015	DAM



PART NUMBER 41791-001	
FOCAL LENGTH	50mm
FOV (Horizontal)	8.8°
Format	640 X 512
Pixel size	12µm
Wavelength	8-14µm
F#	1.2
Weight	112 grams
Athermal	YES
Interface Camera	M34x0.5 (6.64)



PROJECTION: THIRD ANGLE		UNLESS OTHERWISE SPECIFIED: DIMENSIONS ARE IN INCHES METRIC EQUIVALENTS IN BRACKETS [mm]		 55 BLACK BROOK ROAD, KEENE, NH 03431 U.S.A.	
		ANG.	X.XX		
PROPRIETARY AND CONFIDENTIAL THIS DOCUMENT CONTAINS INFORMATION WHICH IS PROPRIETARY AND IS THE PROPERTY OF JANOS TECHNOLOGY INC. AND MAY NOT BE USED, REPRODUCED, OR DISCLOSED IN ANY MANNER WITHOUT THE EXPRESSED WRITTEN PERMISSION OF JANOS TECHNOLOGY INC.		±1/2"	±0.010	±0.005	+0.0005 -0.0000
DRAWN		D.A.M	11/13/14		TITLE:
CHECKED		[Signature]		50mm F/1.2 LWIR	
ENG APPR.		[Signature]		SIZE	DWG. NO.
MFG APPR.				A	41791-ICD
Q.A.				SCALE: 1:1	CAGE: 66810
				REV 2	
				SHEET 1 OF 1	