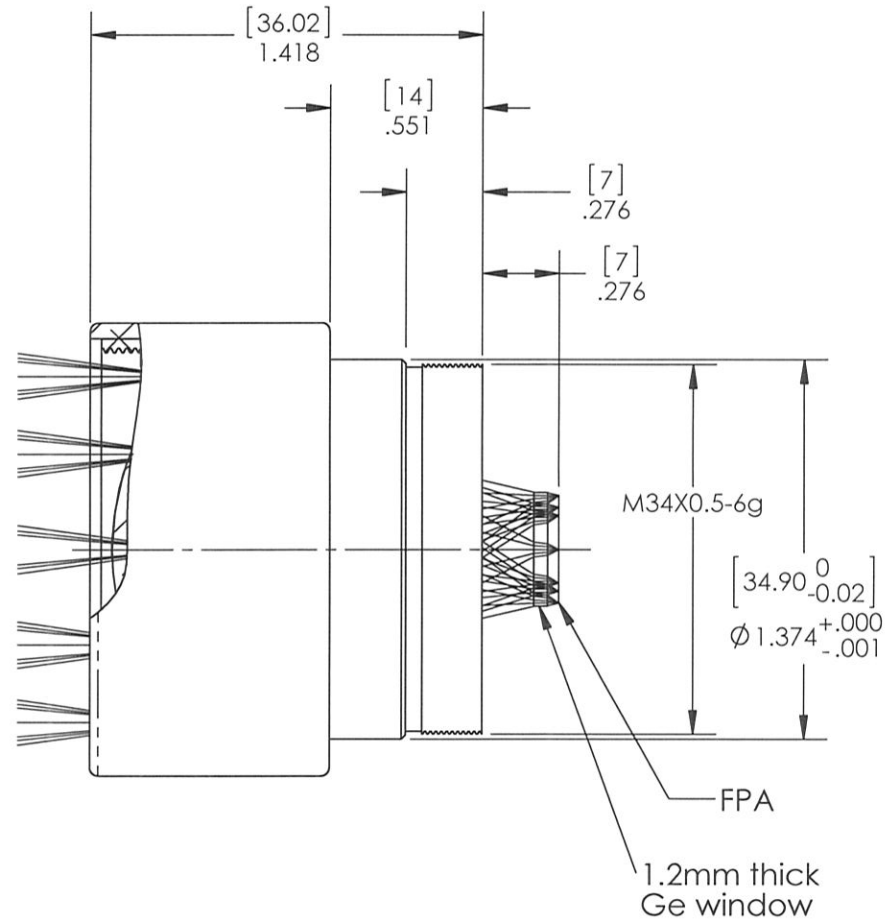
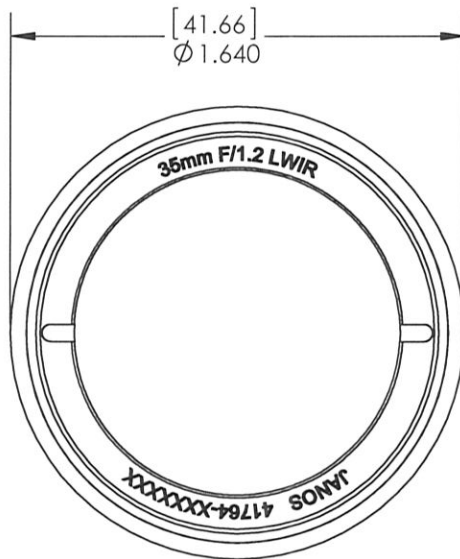


CONFIGURATIONS AVAILABLE:
 41764-AA1 HIGH EFFICIENCY COATINGS
 41764-HA1 DIAMOND LIKE EXTERIOR COATING

REV	ECO	REVISIONS DESCRIPTION	DATE	APVD
1		ENGINEERING PRE RELEASE	11/12/14	DAM
2		CORRECT FOV	11/26/2014	DAM
3		INCREASED BWD	7/2/2015	



PART #41764-001	
FOCAL LENGTH	35mm
FOV (Horizontal)	12.3°
Format	640 X 512
Pixel size	12µm
Wavelength	8-14µm
F#	1.2
Weight	79gr
Athermal	YES
Interface Camera	M34X0.5 (6.6)

PROJECTION: THIRD ANGLE 	UNLESS OTHERWISE SPECIFIED: DIMENSIONS ARE IN INCHES METRIC EQUIVALENTS IN BRACKETS [mm]				 55 BLACK BROOK ROAD, KEENE, NH 03431 U.S.A.
	PROPRIETARY AND CONFIDENTIAL THIS DOCUMENT CONTAINS INFORMATION WHICH IS PROPRIETARY AND IS THE PROPERTY OF JANOS TECHNOLOGY INC. AND MAY NOT BE USED, REPRODUCED, OR DISCLOSED IN ANY MANNER WITHOUT THE EXPRESSED WRITTEN PERMISSION OF JANOS TECHNOLOGY INC.	ANG. X.XX X.XXX X.XXXX ±1/2" ±0.010 ±0.005 +0.0005/-0.0000	TITLE: 35mm F/1.2 LWIR		
DRAWN: D.A.M. 11/12/14 CHECKED: <i>DC</i> 7/2/15 ENG APPR. MFG APPR. Q.A.	SIZE A	SCALE: 1.5:1	CAGE: 66810	SHEET 1 OF 1	REV 3