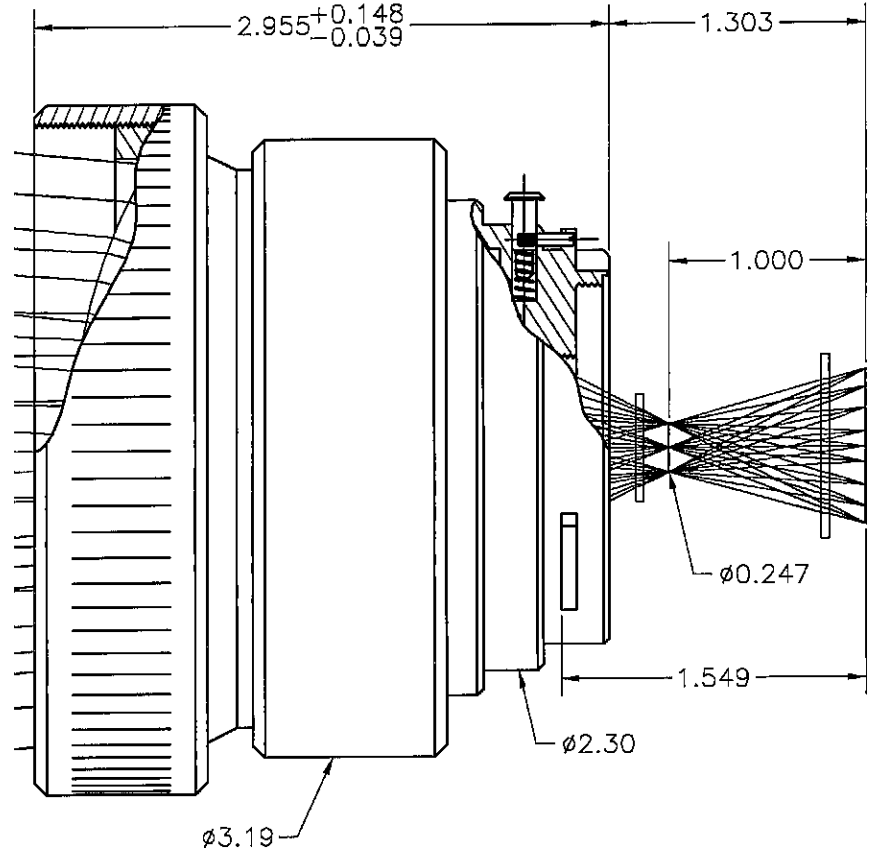
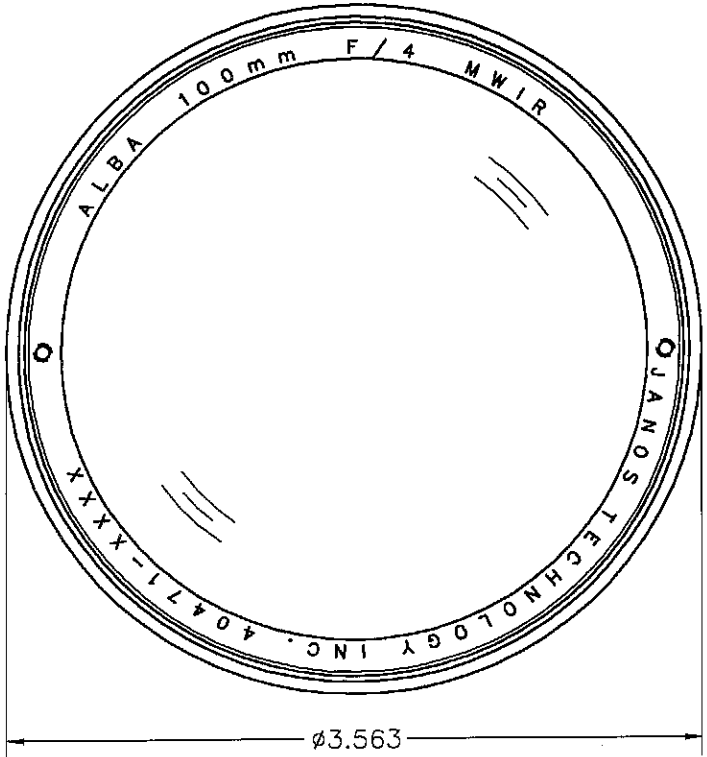


PROPRIETARY:

THIS DOCUMENT CONTAINS INFORMATION WHICH IS PROPRIETARY AND IS THE PROPERTY OF JANOS TECHNOLOGY INC. AND MAY NOT BE USED, REPRODUCED, OR DISCLOSED IN ANY MANNER WITHOUT THE EXPRESSED WRITTEN PERMISSION OF JANOS TECHNOLOGY INC.

REV:	ECO:	DESCRIPTION:	DWN:	DATE:	CHK:
A		PRODUCTION RELEASE	T.A.P.	1/2/01	
B	#2785	REVISION LEVEL CHANGE	T.A.P.	3/15/01	
C	#2798	REVISION LEVEL CHANGE	T.A.P.	4/3/01	



UNLESS OTHERWISE SPECIFIED DIMENSIONS ARE IN INCHES METRIC EQUIVALENT IN BRACKETS [MM]				ROUTE 35	
PROJECTION:				1068 GRAFTON ROAD	
THIRD ANGLE				U.S.A.	
DO NOT SCALE DRAWING				TITLE: ALBA SERIES	
DRAWN: T.A.P.	DATE: 1/2/01	100mm F/4 MWIR - JANOS		REVISION: C	
CHECK:	DATE:	SIZE: A	DRAWING NUMBER: 40471-AA1		
ENGINEER:	DATE: 4/3/01	SCALE: N.T.S.	FSCM: 8N558	SHEET: 1 OF 2	
APPROVED:	DATE:				