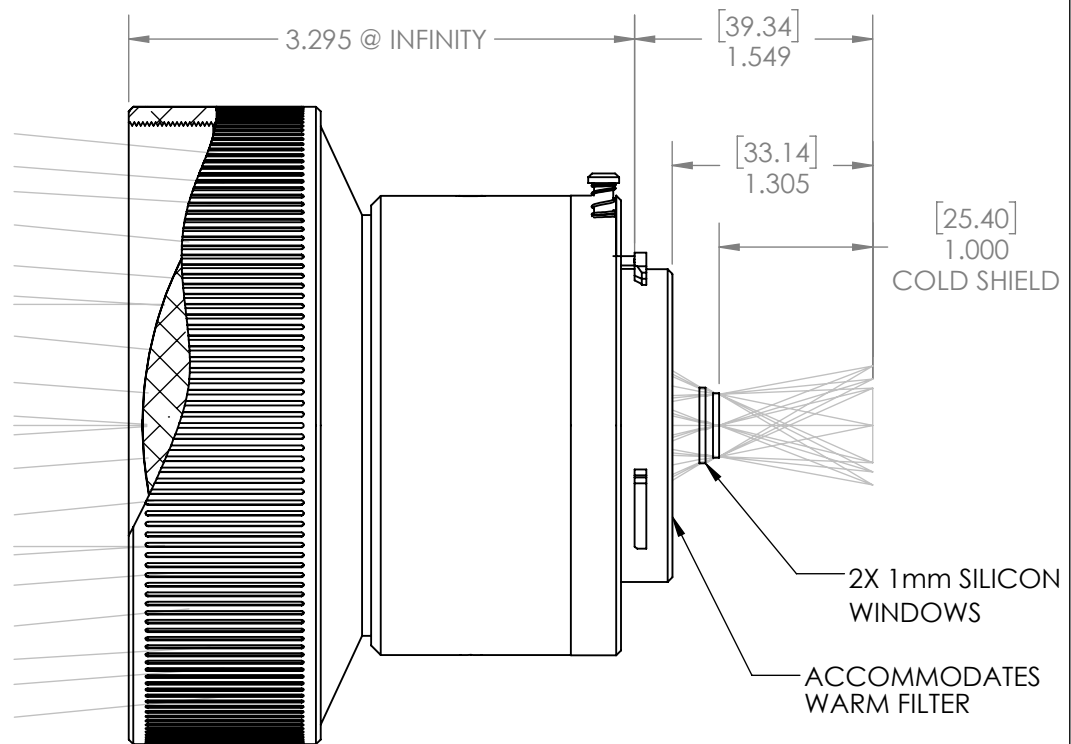
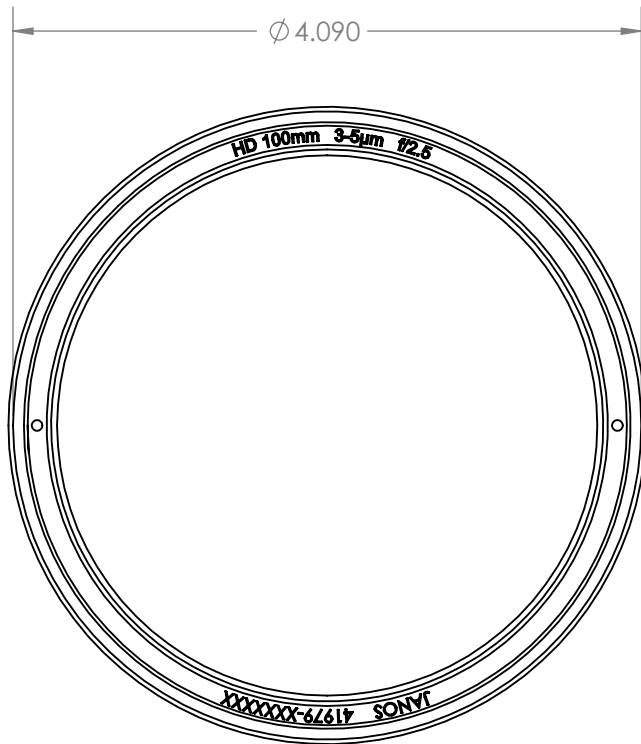


REVISIONS				
ZONE	REV.	DESCRIPTION	DATE	APPROVED
	1	ENGINEERING RELEASE	9/30/22	KKY



41979-AA1	
FOCAL LENGTH	100mm
FOV (Horizontal)	8.8°
Format	1280 X 1024
Pixel size	12µm
Wavelength	3-5µm
F#	2.5
Weight	~906g
Athermal	No
Interface Camera	JANOS IR BAYONET

PROJECTION: THIRD ANGLE 	UNLESS OTHERWISE SPECIFIED: DIMENSIONS ARE IN INCHES METRIC EQUIVALENTS IN BRACKETS [mm]				 55 BLACK BROOK ROAD, KEENE, NH 03431 U.S.A.		
	ANG.	X.XX	X.XXX	X.XXXX			TITLE: HD 100mm f/2.5 3-5µm
PROPRIETARY AND CONFIDENTIAL THIS DOCUMENT CONTAINS INFORMATION WHICH IS PROPRIETARY AND IS THE PROPERTY OF JANOS TECHNOLOGY INC. AND MAY NOT BE USED, REPRODUCED, OR DISCLOSED IN ANY MANNER WITHOUT THE EXPRESSED WRITTEN PERMISSION OF JANOS TECHNOLOGY INC.	±1/2°	±0.010	±0.005	+0.0005 -0.0000	DRAWN	D.A.M	6/18/15
	CHECKED	DAM		10/5/22	SIZE	DWG. NO.	
	ENG APPR.				B	41979-ICD	
	MFG APPR.					REV	1
	Q.A.				SCALE: 1:1.25	CAGE: 66810	SHEET 1 OF 1