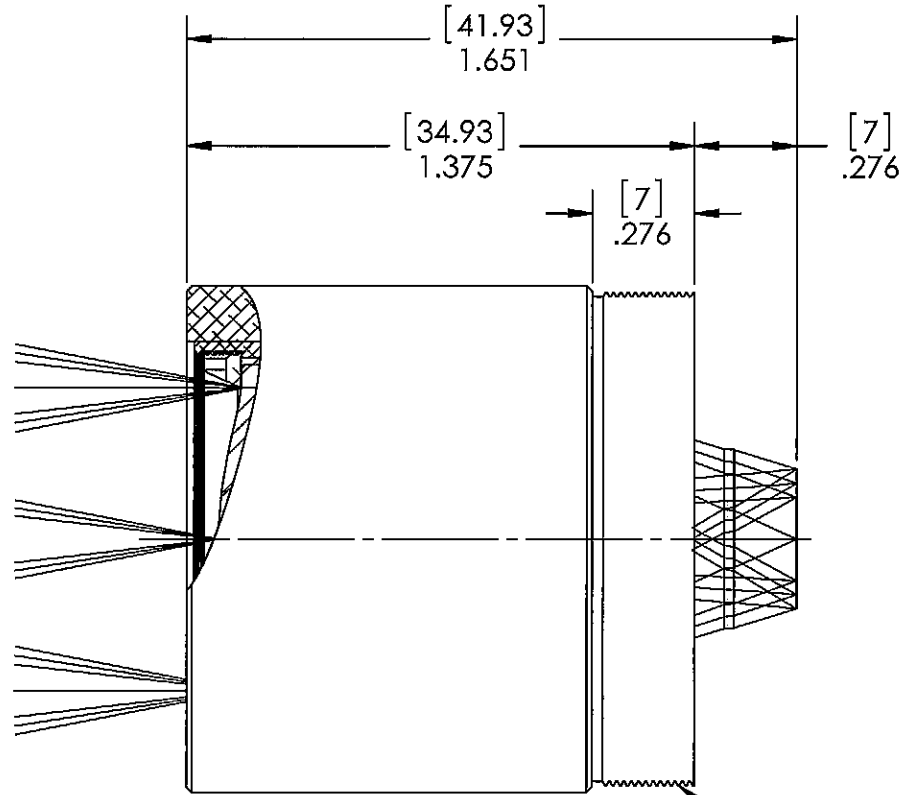
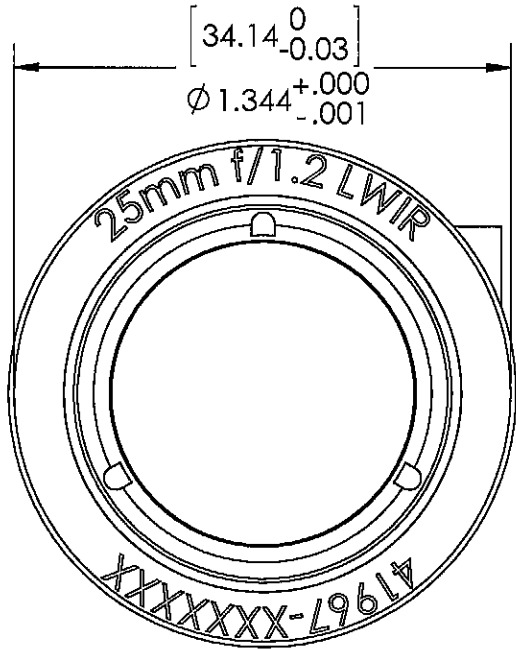
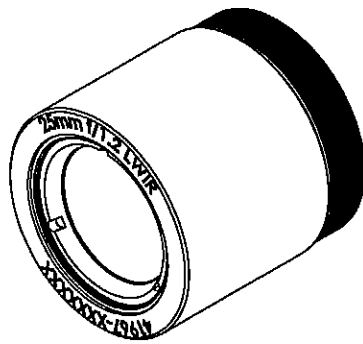


CONFIGURATIONS AVAILABLE:
 41967-AA1 HIGH EFFICIENCY COATINGS
 41967-HA1 DIAMOND LIKE EXTERIOR COATING

| REVISIONS | | | |
|-----------|---------------------|-----------|----------|
| REV. | DESCRIPTION | DATE | APPROVED |
| 1 | ENGINEERING RELEASE | 5/21/2015 | DAM |



OK TO MANUF
 J.O. 5-21/15
 M34 x 0.5 6H



SCALE 1:1

| 41967-AA1 OR 41967-HA1 | |
|------------------------|-------------|
| FOCAL LENGTH | 25mm |
| FOV (Horizontal) | 17.5° |
| Format | 640 X 512 |
| Pixel size | 12µm |
| Wavelength | 8-12µm |
| F# | 1.2 |
| Weight | <53gr |
| Athermal | Yes |
| Interface Camera | M34X0.5 (7) |

PROJECTION: THIRD ANGLE

PROPRIETARY AND CONFIDENTIAL

THIS DOCUMENT CONTAINS INFORMATION WHICH IS PROPRIETARY AND IS THE PROPERTY OF JANOS TECHNOLOGY INC. AND MAY NOT BE USED, REPRODUCED, OR DISCLOSED IN ANY MANNER WITHOUT THE EXPRESSED WRITTEN PERMISSION OF JANOS TECHNOLOGY INC.

UNLESS OTHERWISE SPECIFIED: DIMENSIONS ARE IN INCHES METRIC EQUIVALENTS IN BRACKETS [mm]

| ANG. | X.XX | X.XXX | X.XXXX |
|-----------|--------|---------|--------------------|
| ±1/2° | ±0.010 | ±0.005 | +0.0005 -0.0000 |
| DRAWN | DAM | 5/21/15 | |
| CHECKED | | | |
| ENG APPR. | | | |
| MFG APPR. | | | |
| Q.A. | | | |

JANOS™
 TECHNOLOGY

55 BLACK BROOK ROAD, KEENE, NH 03431 U.S.A.

TITLE: LWIR 25MM 1P2

| | | |
|------|-----------|-----|
| SIZE | DWG. NO. | REV |
| A | 41967-ICD | 1 |

SCALE: 2:1 CAGE: 66810 SHEET 1 OF 1