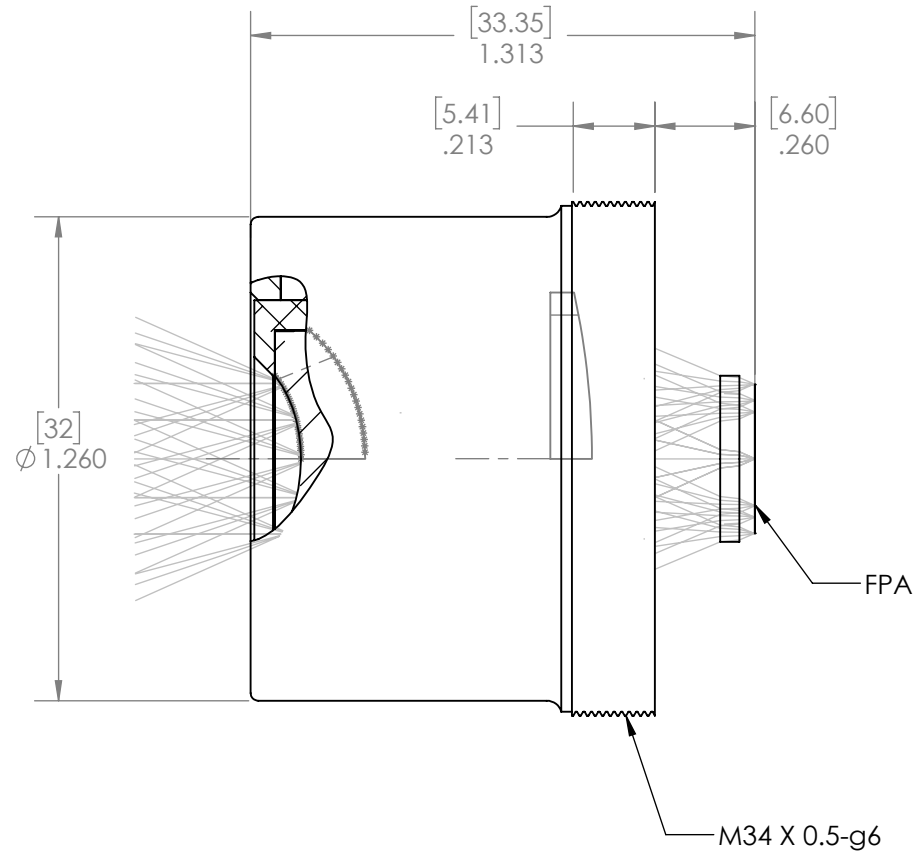
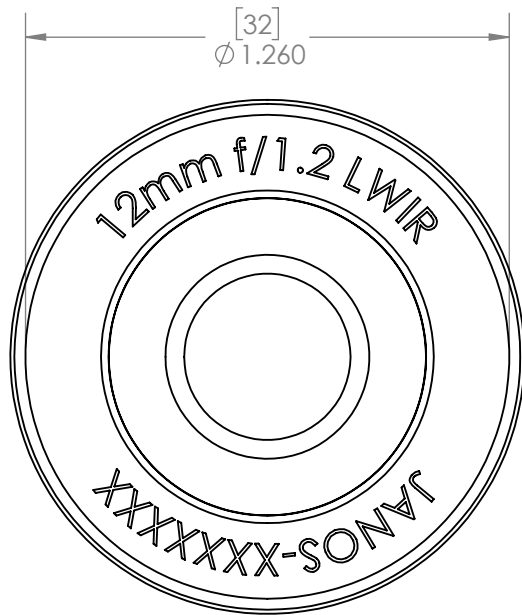


REVISIONS				
ECO	REV.	DESCRIPTION	DATE	APPROVED
6454	A	PRODUCTION RELEASE	4/6/16	DAS



41932-001	
FOCAL LENGTH	12mm
FOV (Horizontal)	37.2°
Format	640 X 512
Pixel size	12 μ m
Wavelength	8-14 μ m
F#	1.2
Weight	<37gr
Athermal	Yes
Interface Camera	M34X0.5 (6.60)

SCALE 1:1



PROJECTION: THIRD ANGLE

PROPRIETARY AND CONFIDENTIAL

THIS DOCUMENT CONTAINS INFORMATION WHICH IS PROPRIETARY AND IS THE PROPERTY OF JANOS TECHNOLOGY INC. AND MAY NOT BE USED, REPRODUCED, OR DISCLOSED IN ANY MANNER WITHOUT THE EXPRESSED WRITTEN PERMISSION OF JANOS TECHNOLOGY INC.

UNLESS OTHERWISE SPECIFIED: DIMENSIONS ARE IN INCHES METRIC EQUIVALENTS IN BRACKETS [mm]

ANG.	X.XX	X.XXX	X.XXXX
$\pm 1/2^\circ$	± 0.010	± 0.005	$+0.0005$ -0.0000
DRAWN	D.A.M.	11/3/14	
CHECKED	WJW	6/24/16	
ENG APPR.	TO	2/13/17	
MFG APPR.	HH	4/8/16	
Q.A.	JL	4/12/16	

JANOS TECHNOLOGY™
55 BLACK BROOK ROAD, KEENE, NH 03431 U.S.A.

TITLE: **12mm F/1.2 LWIR**

SIZE	DWG. NO.	REV
A	41932-ICD	A
SCALE: 2:1	CAGE: 66810	SHEET 1 OF 1