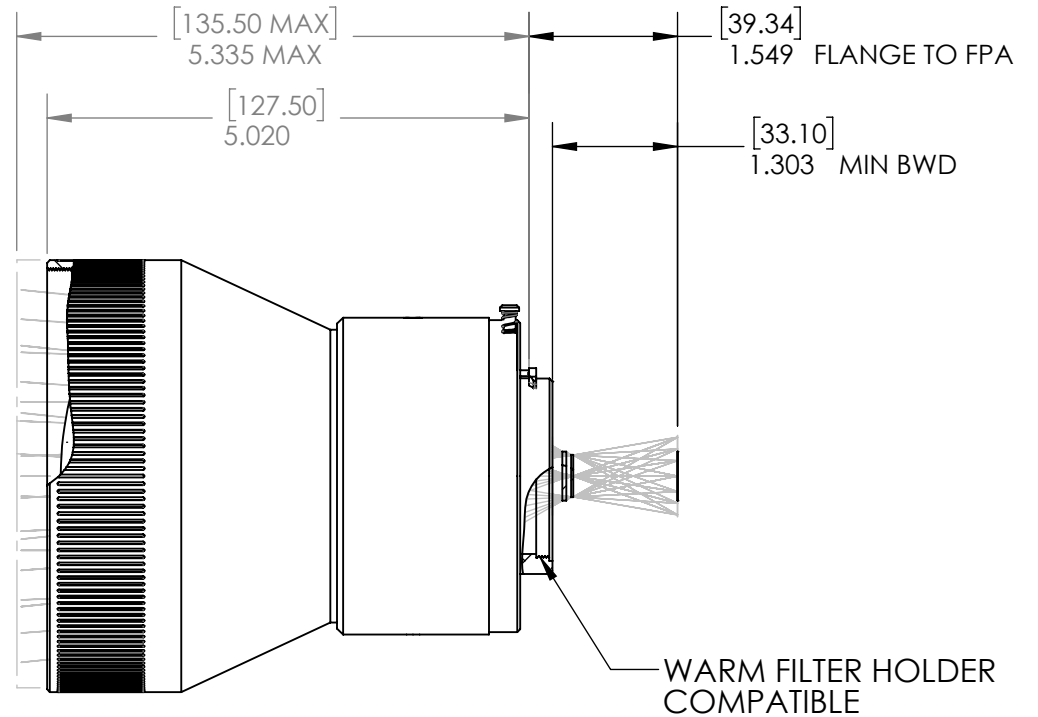
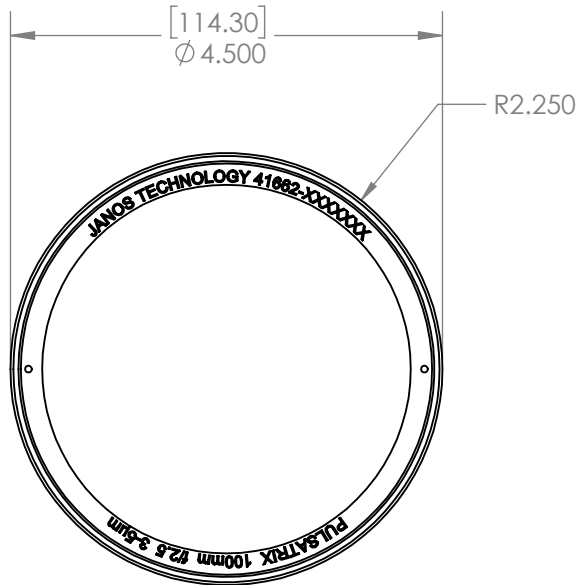


REVISIONS				
REV.	ECO	DESCRIPTION	DATE	APPROVED
A	6453	PRODUCTION RELEASE	4/4/16	DAS
B	6552	CHANGED ENGRAVING	3/15/2017	DAS
C	6577	SPEC TABLE UPDATED	6/23/17	DAS



41662-AA1 - PULSATRIX		
FOCAL LENGTH	100mm	
FOV (Horizontal)	9.1°	5.5°
Format	640 X 512	640 X 512
Pixel size	25µm	15µm
Cold Shield Height	25.4mm	19mm
Dewar Window	1mm Silicon	1mm Sapphire
F#	2.3	2.5
Wavelength	3-5µm	
Weight (Grams)	<1180	
Athermal	No	
Camera Interface	Janos Bayonet	

PROJECTION: THIRD ANGLE



PROPRIETARY AND CONFIDENTIAL

THIS DOCUMENT CONTAINS INFORMATION WHICH IS PROPRIETARY AND IS THE PROPERTY OF JANOS TECHNOLOGY INC. AND MAY NOT BE USED, REPRODUCED, OR DISCLOSED IN ANY MANNER WITHOUT THE EXPRESSED WRITTEN PERMISSION OF JANOS TECHNOLOGY INC.

UNLESS OTHERWISE SPECIFIED: DIMENSIONS ARE IN INCHES METRIC EQUIVALENTS IN BRACKETS [mm]

ANG.	X.XX	X.XXX	X.XXXX
±1/2°	±0.010	±0.005	+0.0005 -0.0000
DRAWN	JDF	1-24-13	
CHECKED	KB	9/19/17	
ENG APPR.	WJW	9/1/17	
MFG APPR.	HH	6/26/17	
Q.A.	JL	6/26/17	



55 BLACK BROOK ROAD, KEENE, NH 03431 U.S.A.

TITLE:		MWIR 100MM 2P5	
SIZE	DWG. NO.	REV	
A	41662-ICD	C	
SCALE: 1:2	CAGE: 66810	SHEET 1 OF 1	