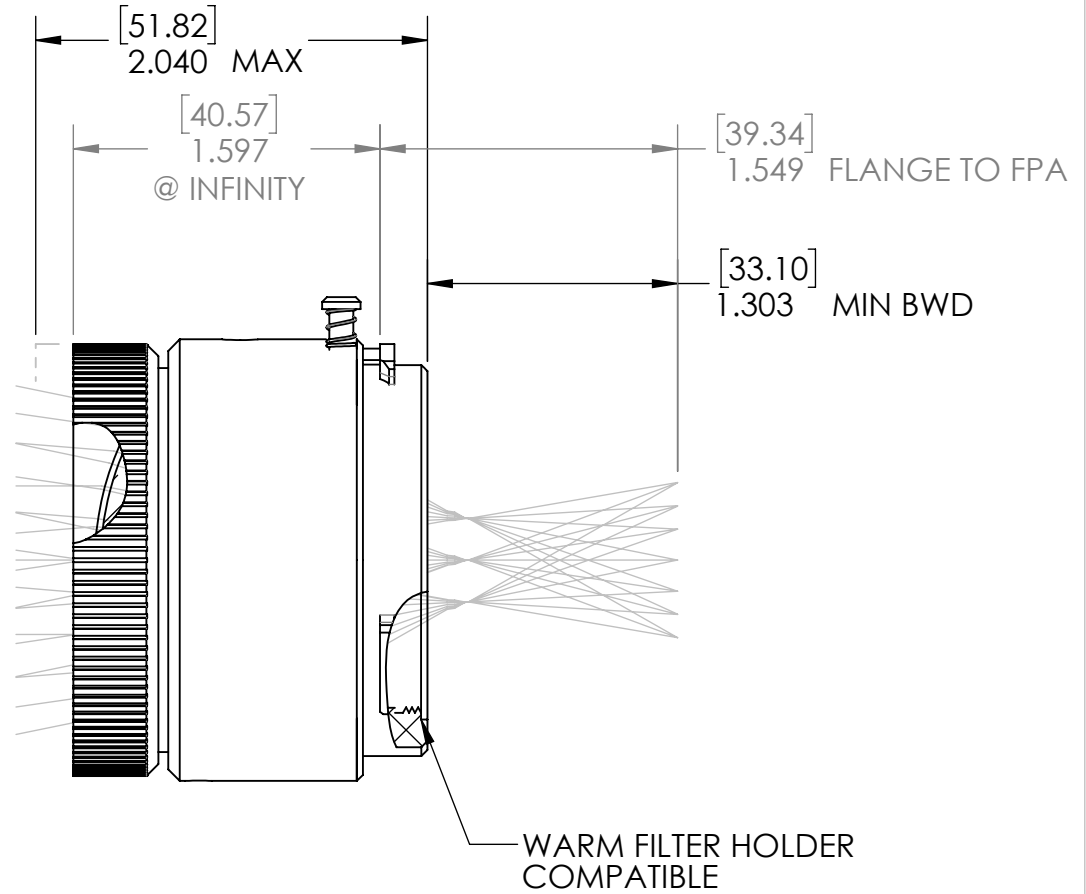
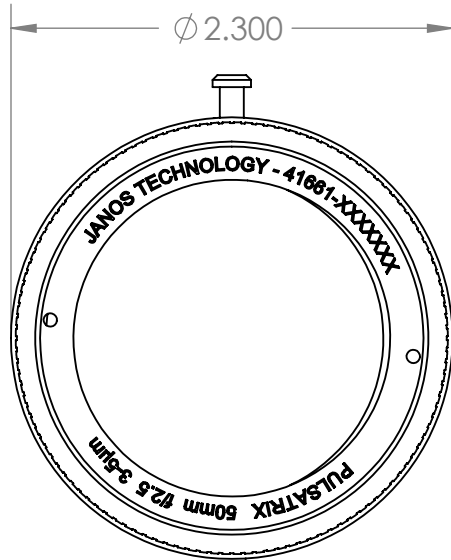


| REVISIONS |      |                    |           |          |
|-----------|------|--------------------|-----------|----------|
| REV.      | ECO  | DESCRIPTION        | DATE      | APPROVED |
| A         | 5376 | PRODUCTION RELEASE | 10/3/13   | DAS      |
| B         | 6552 | ENGRAVING CHANGED  | 3/15/2017 | DAS      |
| C         | 6577 | SPEC TABLE UPDATED | 6/23/17   | DAS      |



| 41661-AA1 - PULSATRIX |               |              |
|-----------------------|---------------|--------------|
| FOCAL LENGTH          | 50mm          |              |
| FOV (Horizontal)      | 18.2°         | 11°          |
| Format                | 640 X 512     | 640 X 512    |
| Pixel size            | 25µm          | 15µm         |
| Cold Shield Height    | 25.4mm        | 19mm         |
| Dewar Window          | 1mm Silicon   | 1mm Sapphire |
| F#                    | 2.3           | 2.5          |
| Wavelength            | 3-5µm         |              |
| Weight                | <206 grams    |              |
| Athermal              | No            |              |
| Camera Interface      | Janos Bayonet |              |

PROJECTION: THIRD ANGLE



**PROPRIETARY AND CONFIDENTIAL**

THIS DOCUMENT CONTAINS INFORMATION WHICH IS PROPRIETARY AND IS THE PROPERTY OF JANOS TECHNOLOGY INC. AND MAY NOT BE USED, REPRODUCED, OR DISCLOSED IN ANY MANNER WITHOUT THE EXPRESSED WRITTEN PERMISSION OF JANOS TECHNOLOGY INC.

UNLESS OTHERWISE SPECIFIED: DIMENSIONS ARE IN INCHES METRIC EQUIVALENTS IN BRACKETS [mm]

| ANG.      | X.XX   | X.XXX   | X.XXXX             |
|-----------|--------|---------|--------------------|
| ±1/2°     | ±0.010 | ±0.005  | +0.0005<br>-0.0000 |
| DRAWN     | JDF    | 1-22-13 |                    |
| CHECKED   | KB     | 9/19/17 |                    |
| ENG APPR. | WJW    | 9/1/17  |                    |
| MFG APPR. | HH     | 6/26/17 |                    |
| Q.A.      | JL     | 6/26/17 |                    |



55 BLACK BROOK ROAD, KEENE, NH 03431 U.S.A.

|            |           |               |              |     |
|------------|-----------|---------------|--------------|-----|
| TITLE:     |           | MWIR 50MM 2P5 |              |     |
| SIZE       | DWG. NO.  |               |              | REV |
| A          | 41661-ICD |               |              | C   |
| SCALE: 1:1 |           | CAGE: 66810   | SHEET 1 OF 1 |     |