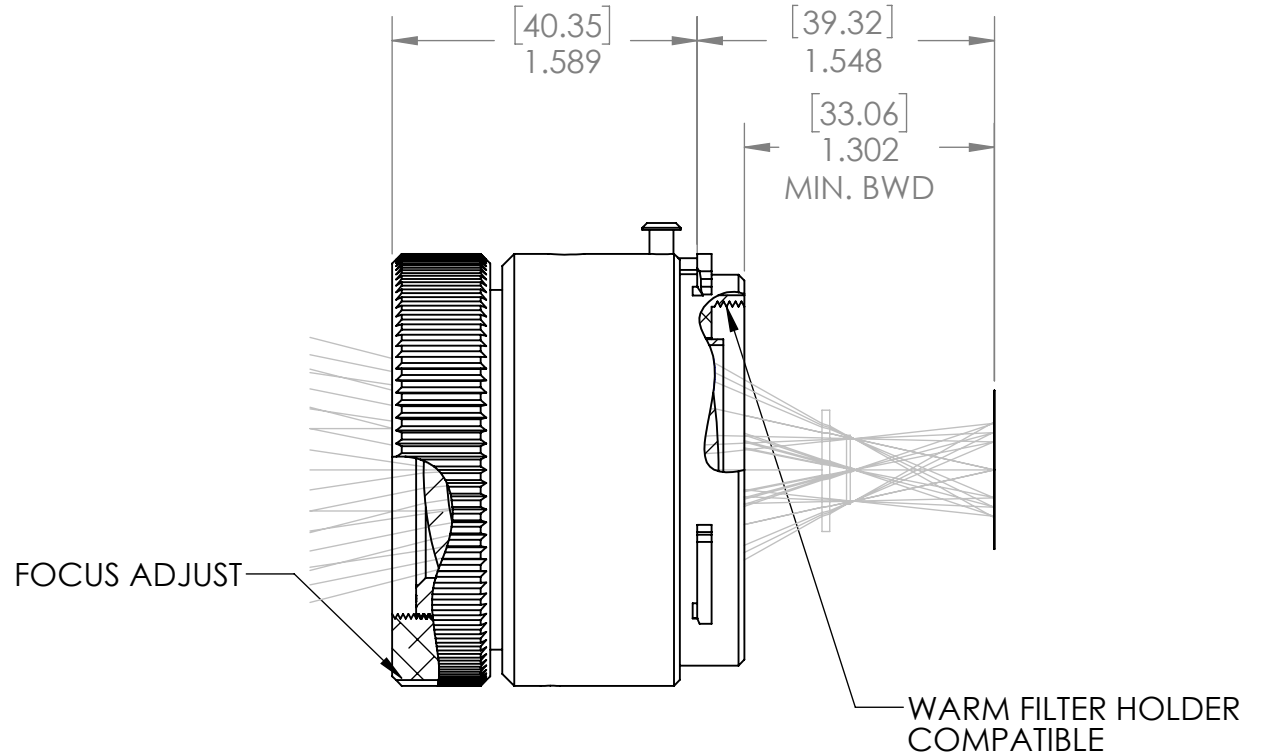
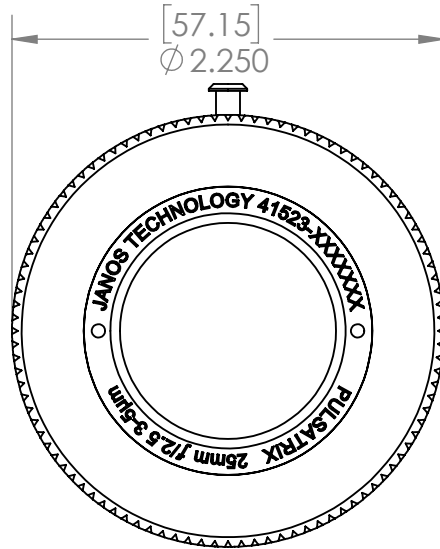


REVISIONS				
REV	ECO	DESCRIPTION	DATE	APPROVED
A	6150	INITIAL RELEASE	1/28/14	DAS
B	6552	ENGRAVING CHANGED	3/15/2017	DAS
C	6577	SPEC TABLE UPDATED	6/23/2017	DAS



41523-AA1 - PULSATRIX		
FOCAL LENGTH	25mm	25mm
FOV (Horizontal)	37.8°	22.2°
Format	640 X 512	640 X 512
Pixel size	25µm	15µm
Cold Shield Height	25.4mm	19mm
Dewar Window	1mm Silicon	1mm Sapphire
F#	2.3	2.5
Wavelength	3-5µm	
Weight	<220 grams	
Athermal	No	
Interface Camera	Janos Bayonet	

PROJECTION: THIRD ANGLE

PROPRIETARY AND CONFIDENTIAL

THIS DOCUMENT CONTAINS INFORMATION WHICH IS PROPRIETARY AND IS THE PROPERTY OF JANOS TECHNOLOGY INC. AND MAY NOT BE USED, REPRODUCED, OR DISCLOSED IN ANY MANNER WITHOUT THE EXPRESSED WRITTEN PERMISSION OF JANOS TECHNOLOGY INC.

UNLESS OTHERWISE SPECIFIED: DIMENSIONS ARE IN INCHES METRIC EQUIVALENTS IN BRACKETS [mm]

ANG.	X.XX	X.XXX	X.XXXX
±1/2°	±0.010	±0.005	+0.0005 -0.0000

DRAWN	D.A.M	6/5/13
CHECKED	KB	9/19/17
ENG APPR.	WJW	9/1/17
MFG APPR.	HH	6/26/17
Q.A.	JL	6/26/17

55 BLACK BROOK ROAD, KEENE, NH 03431 U.S.A.

TITLE: **MWIR 25MM 2P5**

SIZE	DWG. NO.	REV
A	41523-ICD	C

SCALE: 1:1 CAGE: 66810 SHEET 1 OF 1