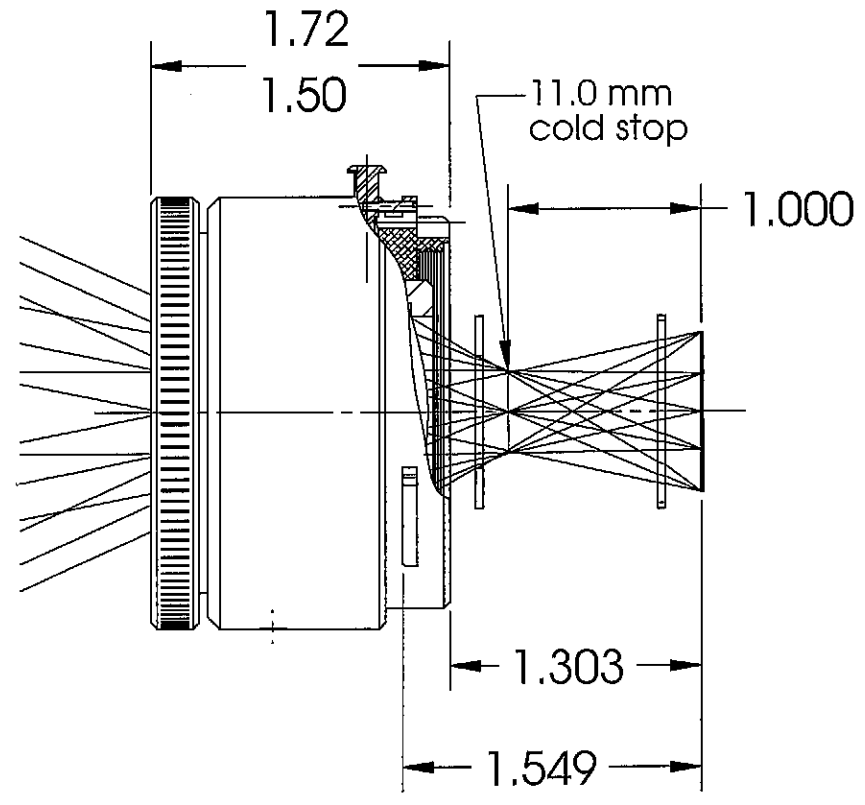
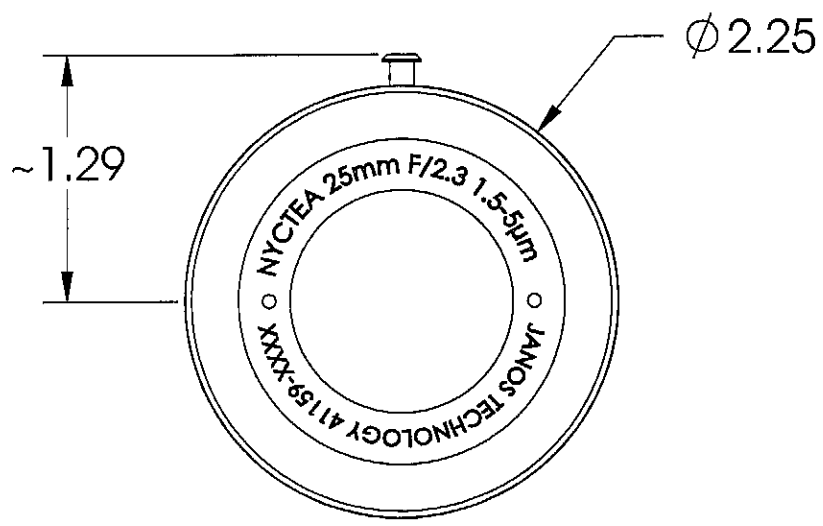



41159

| REV. | DESCRIPTION | DATE | APPV |
|------|----------------|-----------|--------|
| A | PRINT RELEASED | 2/14/2005 | D.A.M. |



| | | | | | |
|---|-----------|---|--------|--|--|
| PROJECTION: THIRD ANGLE | | UNLESS OTHERWISE SPECIFIED: DIMENSIONS ARE IN INCHES METRIC EQUIVALENTS IN BRACKETS (mm) | |  JANOS™ TECHNOLOGY 1068 GRAFTON ROAD, TOWNSHEND, VT 05353 U.S.A. | |
| PROPRIETARY AND CONFIDENTIAL THIS DOCUMENT CONTAINS INFORMATION WHICH IS PROPRIETARY AND IS THE PROPERTY OF JANOS TECHNOLOGY INC. AND MAY NOT BE USED, REPRODUCED, OR DISCLOSED IN ANY MANNER WITHOUT THE EXPRESSED WRITTEN PERMISSION OF JANOS TECHNOLOGY INC. | ANG. | 2 PL | 3 PL | HOLES | |
| | ±1/2" | ±0.010 | ±0.005 | ±0.005 | |
| | DRAWN | D.A.M. | | 2/14/04 | |
| | CHECKED | | | | |
| | ENG APPR. | <i>[Signature]</i> | | <i>[Signature]</i> | |
| MFG APPR. | | | | | TITLE: NYCTEA 25mm F/2.3 1.5-5um |
| Q.A. | | | | | SIZE DWG. NO. REV A 41159-AA1 A |
| | | SCALE: 1:1 | | FSCM: 8N558 SHEET 1 OF 2 | |