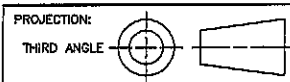
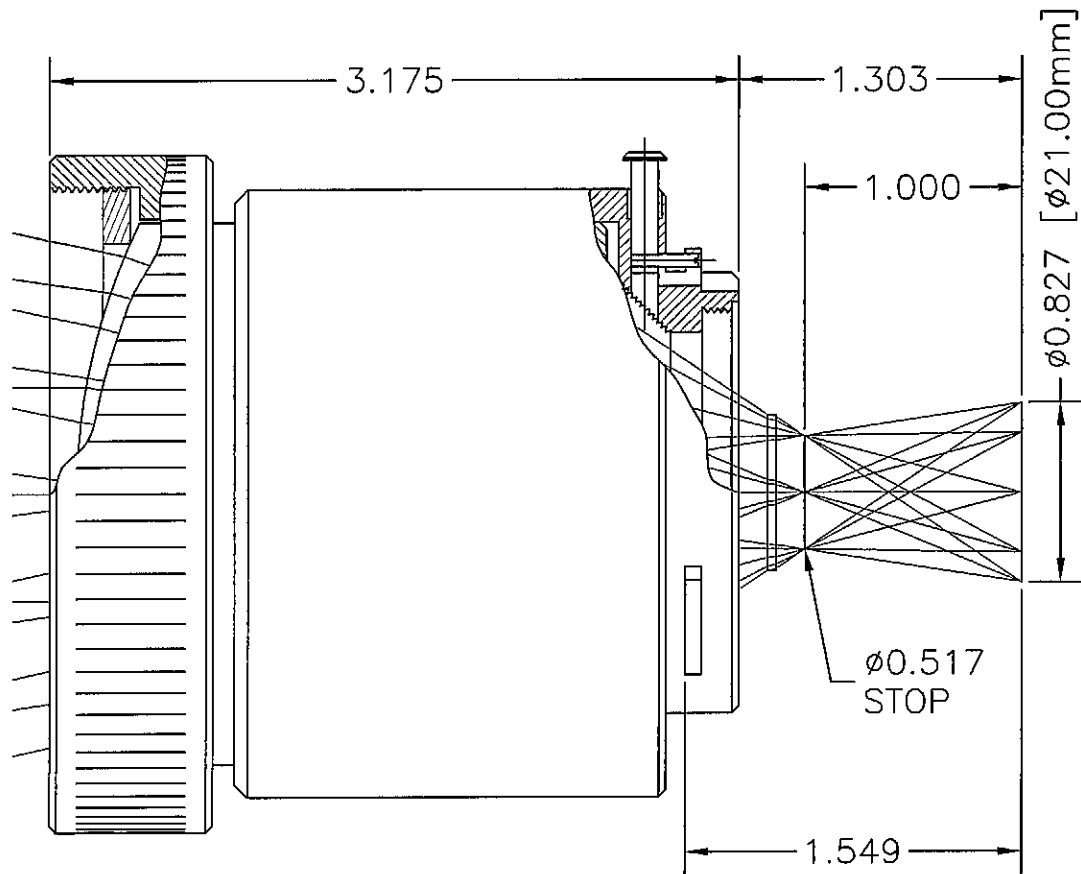
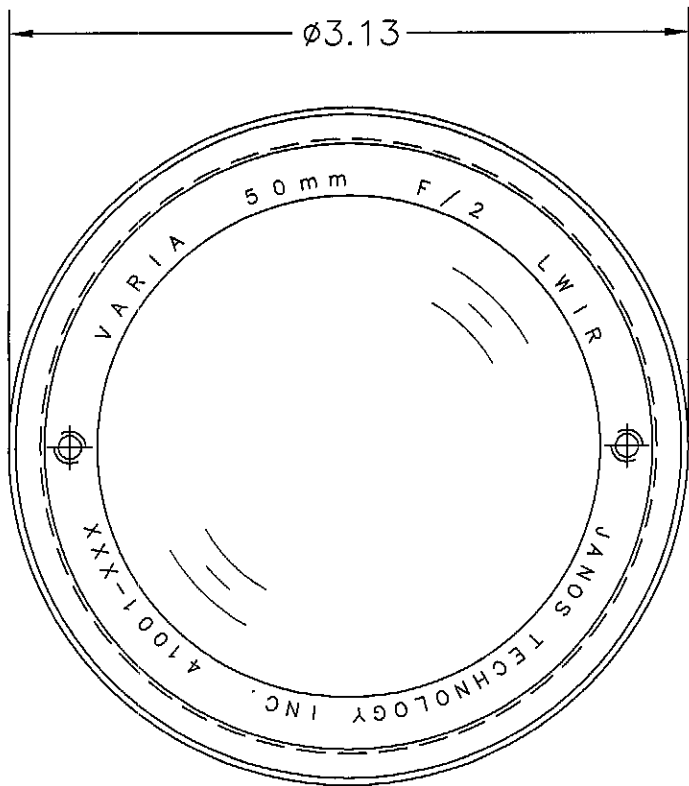


REV:	ECO:	DESCRIPTION:	DWN:	DATE:	CHK:
A		PRODUCTION RELEASE	T.A.P.	9/22/03	
B	#3437	COLD FILTER REMOVED FROM RAYTRACE	T.A.P.	2/5/04	



PROPRIETARY:
 THIS DOCUMENT CONTAINS INFORMATION WHICH IS PROPRIETARY AND IS THE PROPERTY OF JANOS TECHNOLOGY INC. AND MAY NOT BE USED, REPRODUCED, OR DISCLOSED IN ANY MANNER WITHOUT THE EXPRESSED WRITTEN PERMISSION OF JANOS TECHNOLOGY INC.

UNLESS OTHERWISE SPECIFIED DIMENSIONS ARE IN INCHES METRIC EQUIVALENT IN BRACKETS [MM]

ANG.	2 PL	3 PL	HOLES
±X/X'	±X.XXX	±X.XXX	±X.XXX

DO NOT SCALE DRAWING

DRAWN:	T.A.P.	DATE:	9/22/03
CHECK:	<i>Co.Mil</i>	DATE:	2/5/04
ENGINEER:		DATE:	
APPROVED:		DATE:	



1068 GRAFTON ROAD, ROUTE 35
 TOWNSHEND, VT 05353 U.S.A.

TITLE: VARIA SERIES
 50mm F/2 LWIR

SIZE:	DRAWING NUMBER:	REVISION:
A	41001-AA1	B

SCALE: N.T.S. FSCM: 8N558 SHEET: 1 OF 2