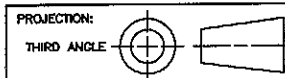
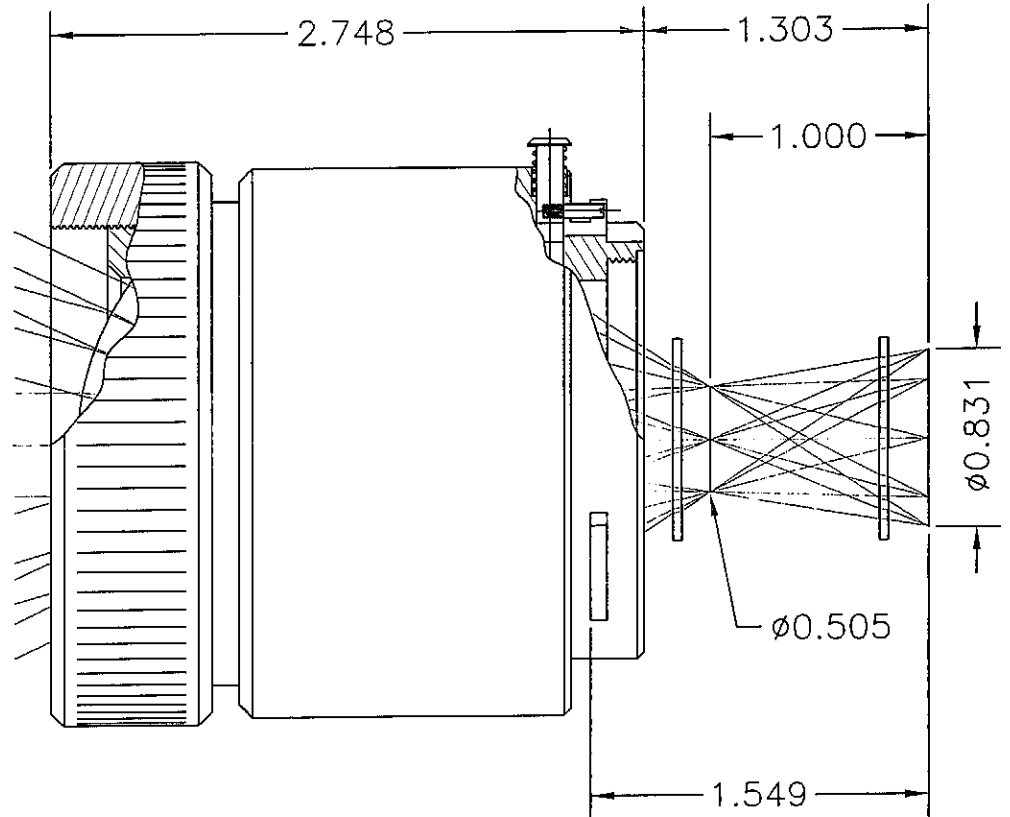
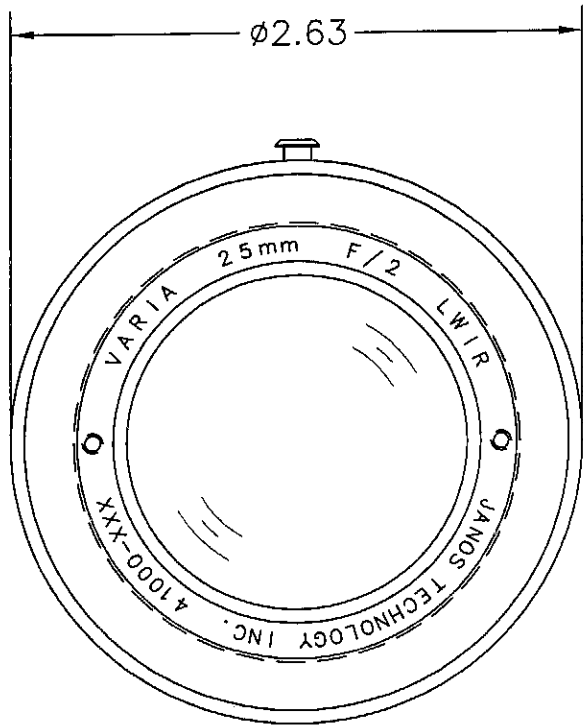


REV:	ECO:	DESCRIPTION:	DWN:	DATE:	CHK:
A		PRODUCTION RELEASE	T.A.P.	9/30/03	



UNLESS OTHERWISE SPECIFIED
DIMENSIONS ARE IN INCHES
METRIC EQUIVALENT IN
BRACKETS [MM]

PROPRIETARY:
THIS DOCUMENT CONTAINS
INFORMATION WHICH IS
PROPRIETARY AND IS THE
PROPERTY OF JANOS
TECHNOLOGY INC. AND MAY
NOT BE USED, REPRODUCED,
OR DISCLOSED IN ANY
MANNER WITHOUT THE
EXPRESSED WRITTEN
PERMISSION OF JANOS
TECHNOLOGY INC.

ANG.	2 PL	3 PL	HOLES
±X/X'	±X.XXX	±X.XXX	±X.XXX

DO NOT SCALE DRAWING

DRAWN:	T.A.P.	DATE:	9/30/03
CHECK:	SLH	DATE:	10/3/03
ENGINEER:		DATE:	
APPROVED:		DATE:	



1068 GRAFTON ROAD, ROUTE 35
TOWNSHEND, VT 05353 U.S.A.

TITLE: VARIA SERIES
25mm F/2 LWIR

SIZE:	DRAWING NUMBER:	REVISION:
A	41000-AA1	A
SCALE: N.T.S.	FSCM: 8N558	SHEET: 1 OF 2