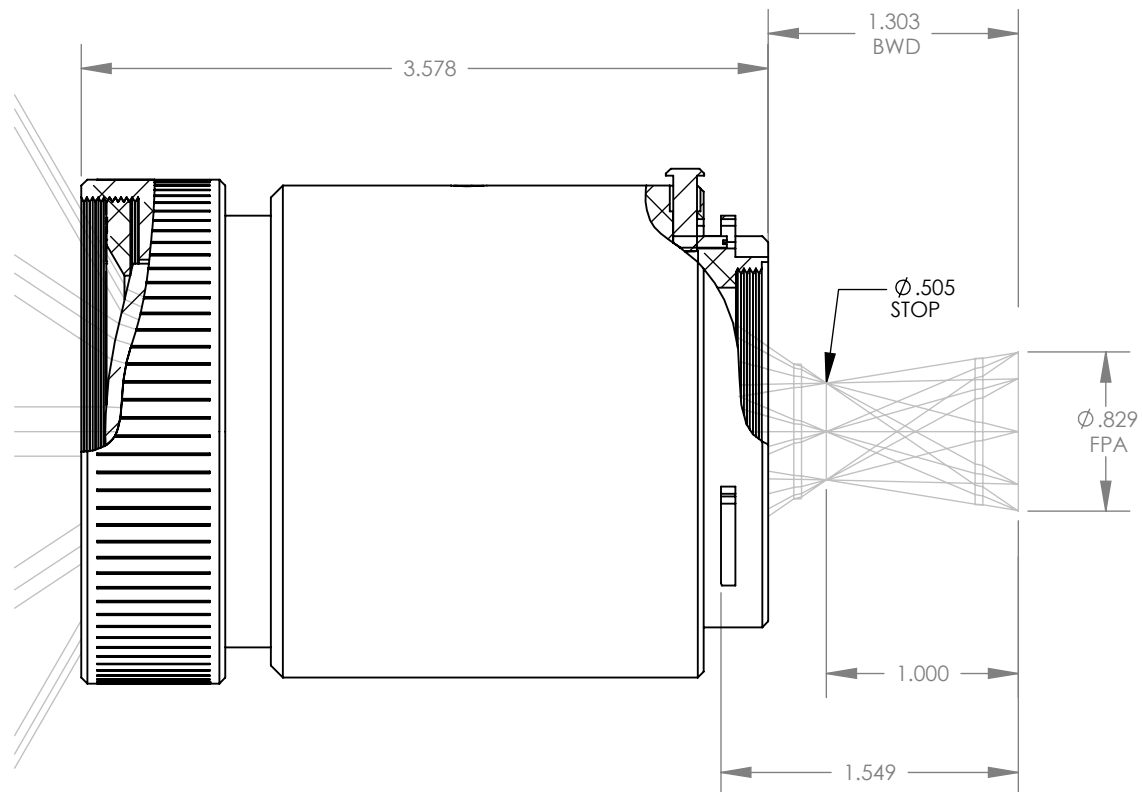
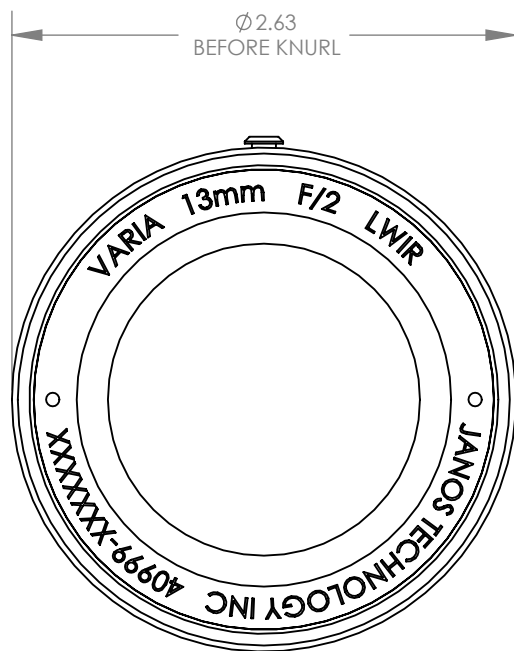


2

1



B

B

A

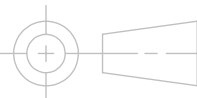
A

ECO	REV	DESCRIPTION	DATE	DWN
6506	C	UPDATE BOM	10/10/2016	DAS
4937	B	SEE ECO	12/5/2011	DAS
	A	PRINT RELEASED	03/26/04	G.M.L.
ECO	REV	DESCRIPTION	DATE	DWN
REVISIONS				

2

PROJECTION:

THIRD ANGLE



UNLESS OTHERWISE SPECIFIED  
DIMENSIONS ARE IN INCHES  
METRIC EQUIVALENTS IN  
BRACKETS [mm]

ANG.	2 PL	3 PL	HOLES
±X/X°	±X.XXX	±X.XXX	±X.XXX
DRAWN: G.M.L.	DATE: 03/26/04		
CHECKED: DAM	DATE: 10/21/16		
ENG APPR: WJW	DATE: 1/24/17		
MFG APPR: JLT	DATE: 10/14/16		
QA APPR: JL	DATE: 10/10/16		



55 BLACK BROOK ROAD  
KEENE, NH 03431

TITLE:		
VARIA SERIES 13mm F/2.0 LWIR		
SIZE: <b>A</b>	DRAWING NUMBER: <b>40999 - 001</b>	REVISION: <b>C</b>
SCALE: 1:1	CAGE 66810	SHEET: 1 OF 2

1