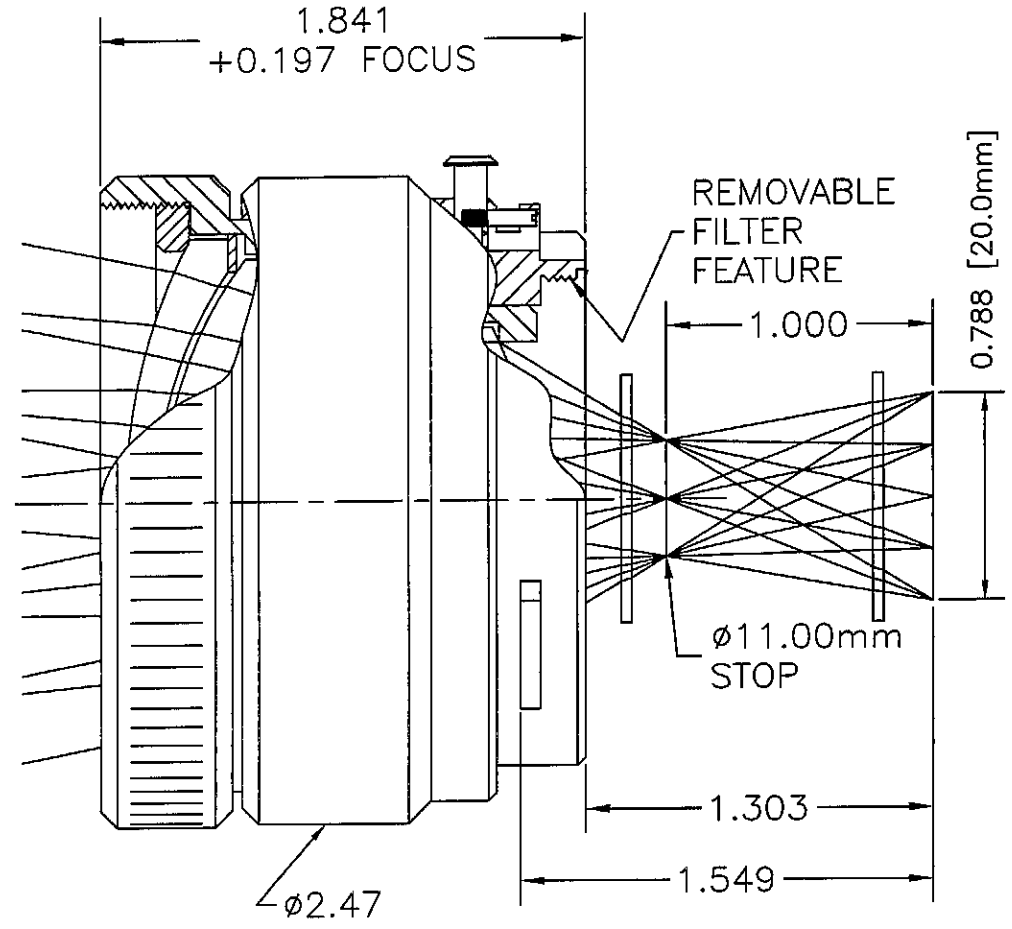
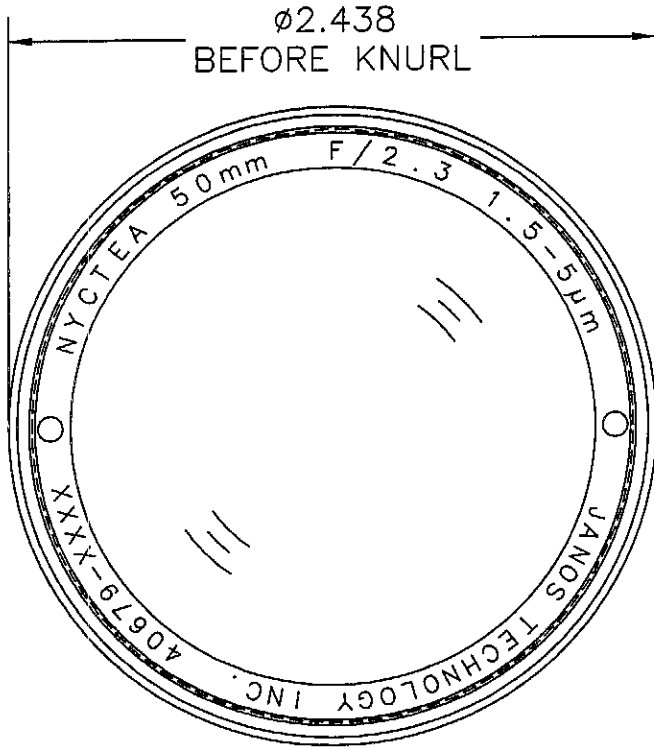


2

1

REV:	ECO:	ZONE	DESCRIPTION:	DWN:	DATE:	CHK:
A			PRINT RELEASED	D.A.M.	12/3/01	
B	#3056		D.T. ONLY BLANKS REMOVED	D.A.M.	5/22/02	



B
A

B
A

PROPRIETARY: THIS DOCUMENT CONTAINS INFORMATION WHICH IS PROPRIETARY AND IS THE PROPERTY OF JANOS TECHNOLOGY INC. AND MAY NOT BE USED, REPRODUCED, OR DISCLOSED IN ANY MANNER WITHOUT THE EXPRESSED WRITTEN PERMISSION OF JANOS TECHNOLOGY INC.	PROJECTION: THIRD ANGLE	 1068 GRAFTON ROAD, ROUTE 35 TOWNSHEND, VT 05353 U.S.A.
	UNLESS OTHERWISE SPECIFIED DIMENSIONS ARE IN INCHES METRIC EQUIVALENT IN BRACKETS [MM]	
	DO NOT SCALE DRAWING	TITLE: NYCTEA 50mm F/2.3 1.5-5 μ m - JANOS
	DRAWN: D.A.M. DATE: 12/3/01 CHECK: DATE: ENGINEER: <i>mg</i> DATE: 5/31/02 APPROVED: DATE:	SIZE: A DRAWING NUMBER: 40679-AA1 REVISION: B
	SCALE: N.T.S. FSCM: 8N558 SHEET: 2 OF 2	

2

1