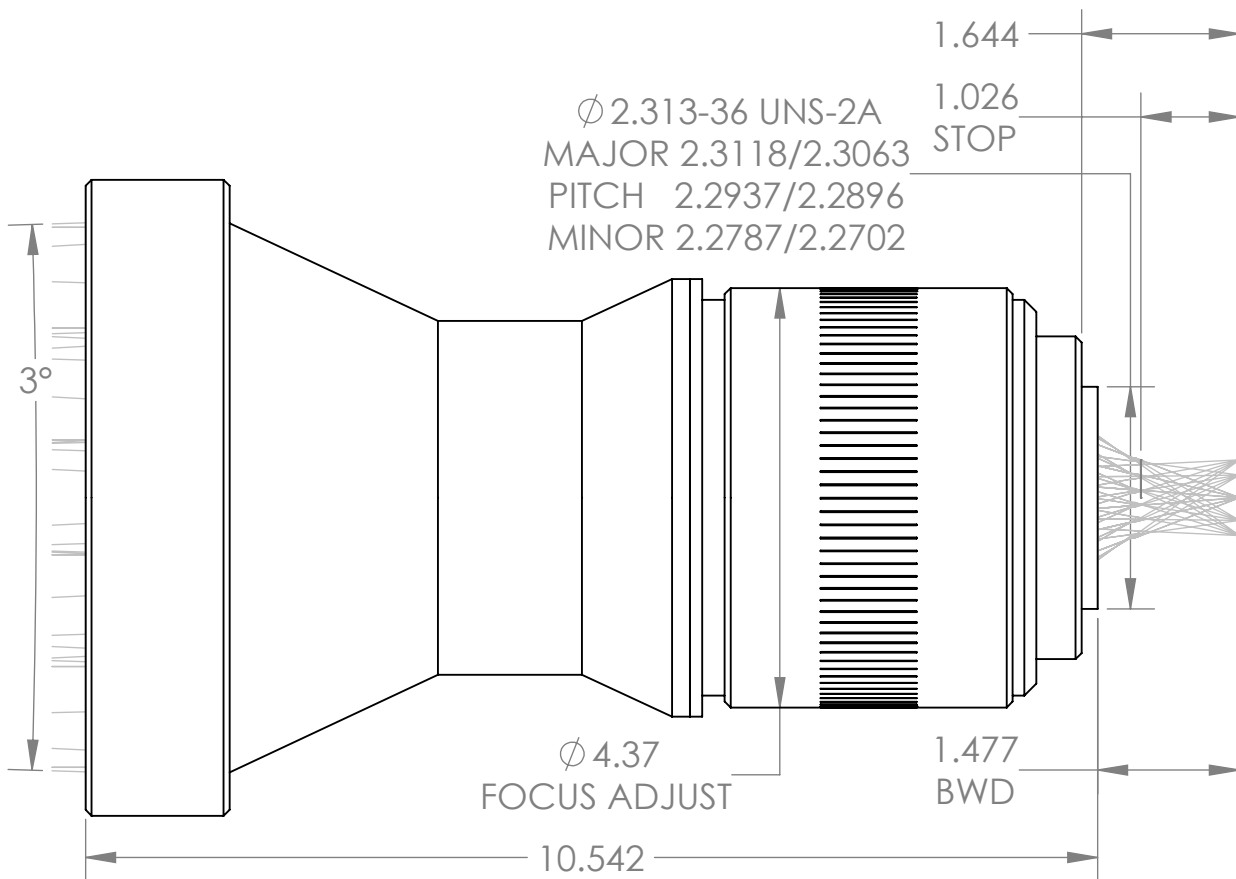
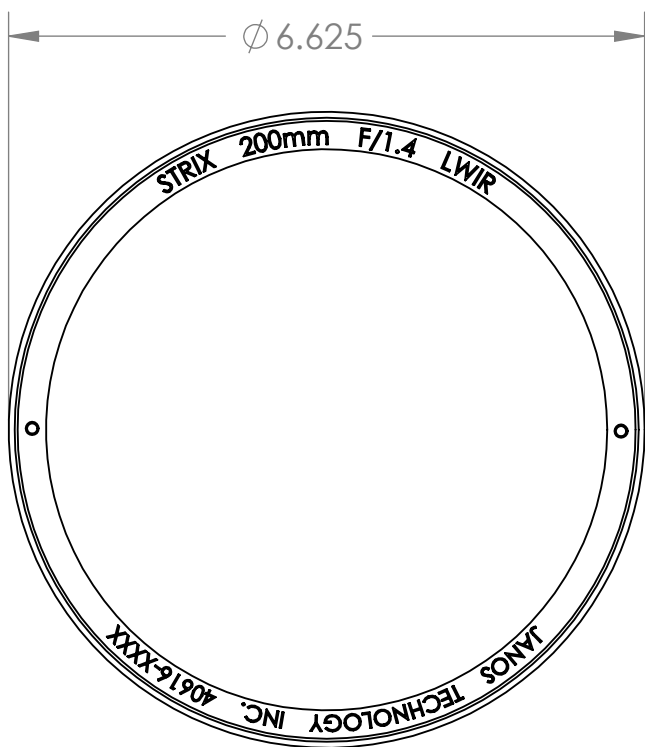


REVISIONS				
ECO	REV.	DESCRIPTION	DATE	APPROVED
	1	ENGINEERING RELEASE	1/29/19	SCV
	2	UPDATED DRAWING TO S.W., CORRECTED THREAD	9/10/2020	SCV
	3	UPDATED THREAD DIMENSION	5/5/2021	SCV



40616-AA1	
FOCAL LENGTH	200mm
CIRCULAR FOV	6°
IMAGE DIAGONAL	21mm
WAVELENGTH	8-14μm
F#	1.4
ATHERMAL	NO
INTERFACE	Ø 2.313-36 UNS-2A

PROJECTION: THIRD ANGLE

PROPRIETARY AND CONFIDENTIAL

THIS DOCUMENT CONTAINS INFORMATION WHICH IS PROPRIETARY AND IS THE PROPERTY OF JANOS TECHNOLOGY INC. AND MAY NOT BE USED, REPRODUCED, OR DISCLOSED IN ANY MANNER WITHOUT THE EXPRESSED WRITTEN PERMISSION OF JANOS TECHNOLOGY INC.

UNLESS OTHERWISE SPECIFIED: DIMENSIONS ARE IN INCHES METRIC EQUIVALENTS IN BRACKETS [mm]			
ANG.	X.XX	X.XXX	X.XXXX
±1/2°	±0.010	±0.005	+0.0005 -0.0000
DRAWN	SCV	9/10/2020	
CHECKED	DAM	5/5/21	
ENG APPR.			
MFG APPR.			
Q.A.			

JANOS TECHNOLOGY™
55 BLACK BROOK ROAD, KEENE, NH 03431 U.S.A.

TITLE: **INTERFACE CONTROL DOCUMENT**

SIZE: **A** DWG. NO.: **40616-ICD** REV: **3**

SCALE: 1:4 CAGE: 66810 SHEET 1 OF 1