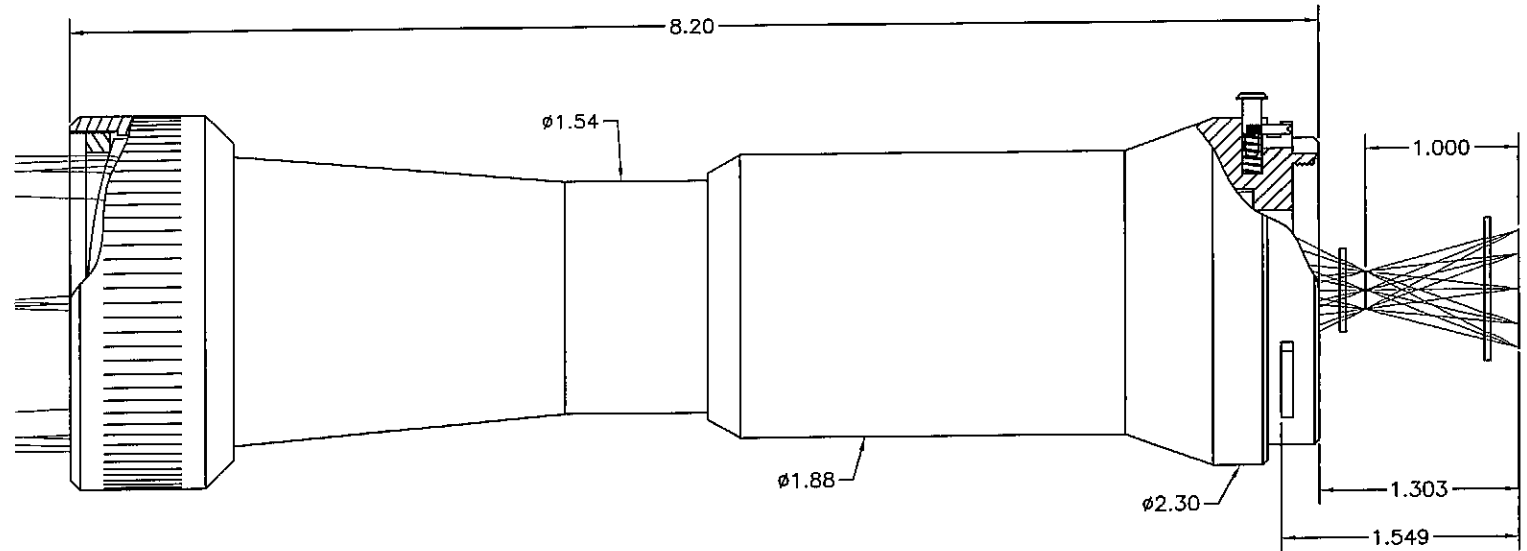
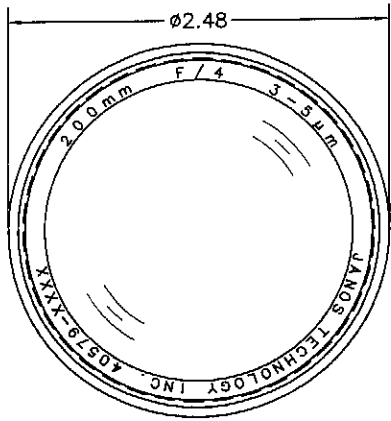


PROPRIETARY

THIS DRAWING DOCUMENT CONTAINS INFORMATION WHICH IS PROPRIETARY AND IS THE PROPERTY OF JANOS TECHNOLOGY INC. AND MAY NOT BE USED, REPRODUCED, OR DISCLOSED IN ANY MANNER WITHOUT THE EXPRESSED WRITTEN PERMISSION OF JANOS TECHNOLOGY INC.

REVISIONS

REV	DESCRIPTION	DATE	APVD
A	PRELUMINARY	9/26/04	D.A.M.



DATE:	9/26/04			ROUTE 35	
DRAWN BY:	D.A.M.			1068 GRAFTON ROAD	
CHK BY:	<i>[Signature]</i>	TITLE:		TOWNSHEND, VT 05353	
APVD BY:		200mm F/4 RE-IMAGING LENS		U.S.A.	
APVD BY:		SIZE	FSCM	DRAWING NO.:	REV
APVD BY:		A	8N558	40579-AA1	A
SCALE: NTS			SHEET: 1 OF 2		