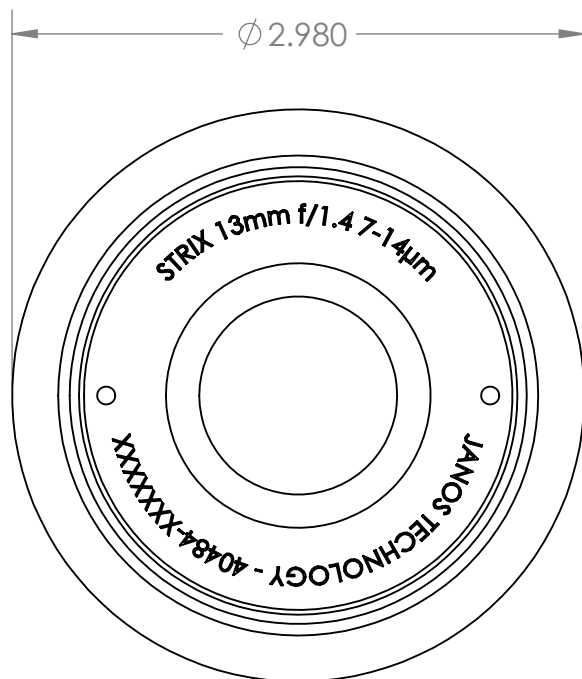
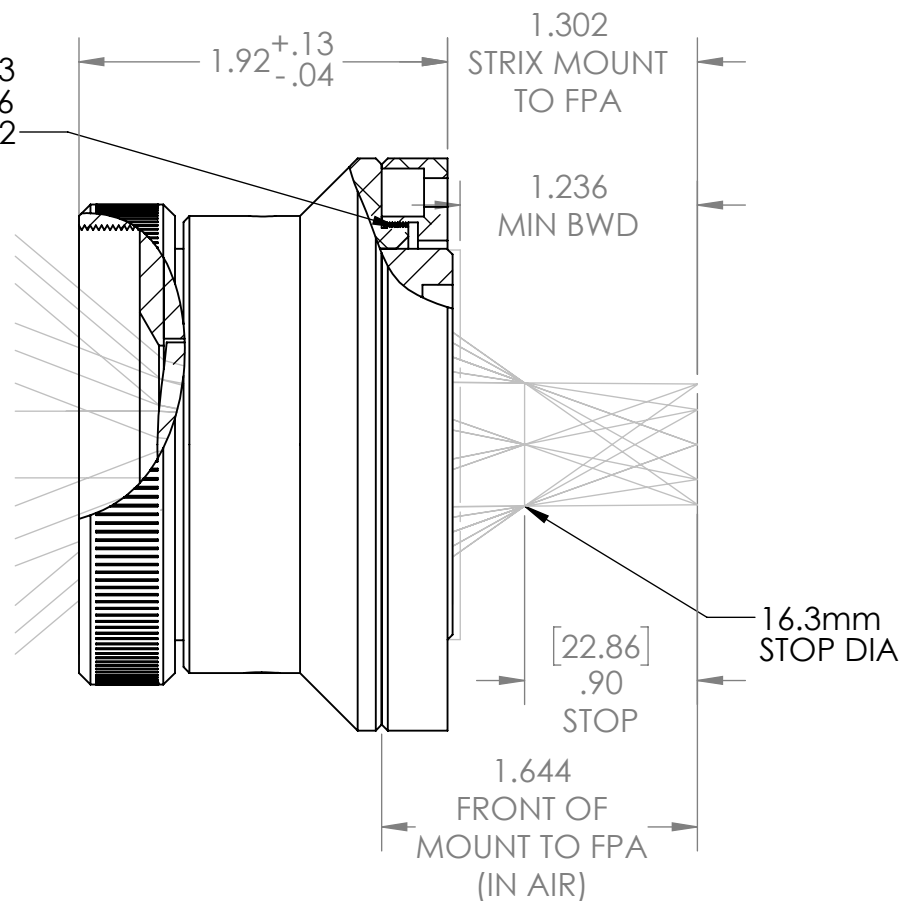


REVISIONS				
REV.	ECO	DESCRIPTION	DATE	APPROVED
A		ENGINEERING RELEASE	2/12/20	DAM
B	7134	SEE ECO	5/2/23	KKY



THREAD ON LENS
 ϕ 2.313-36 UNS-2A
 MAJOR 2.3118/2.3063
 PITCH 2.2937/2.2896
 MINOR 2.2787/2.2702



40484-AA1	
FOCAL LENGTH	13mm
FOV (CIRCULAR)	75°
IMAGE DIAG	20mm
WAVELENGTH	7-14 μ m
F #	1.4
ATHERMAL	NO
INTERFACE CAMERA	STRIX MOUNT

PROJECTION: THIRD ANGLE

PROPRIETARY AND CONFIDENTIAL

THIS DOCUMENT CONTAINS INFORMATION WHICH IS PROPRIETARY AND IS THE PROPERTY OF JANOS TECHNOLOGY INC. AND MAY NOT BE USED, REPRODUCED, OR DISCLOSED IN ANY MANNER WITHOUT THE EXPRESSED WRITTEN PERMISSION OF JANOS TECHNOLOGY INC.

UNLESS OTHERWISE SPECIFIED:
 DIMENSIONS ARE IN INCHES
 METRIC EQUIVALENTS IN
 BRACKETS [mm]

ANG.	X.XX	X.XXX	X.XXXX
$\pm 1/2^\circ$	± 0.010	± 0.005	$+0.0005$ -0.0000
DRAWN	DAM	2/12/20	
CHECKED	DAM	5/11/23	
ENG APPR.			
MFG APPR.			
Q.A.			



55 BLACK BROOK ROAD, KEENE, NH 03431 U.S.A.

TITLE:		STRIX SERIES	
		13mm F/1.4 LWIR - JANOS	
SIZE	DWG. NO.	REV	
A	40484-ICD	B	
SCALE: 1:1	CAGE: 66810	SHEET 1 OF 1	