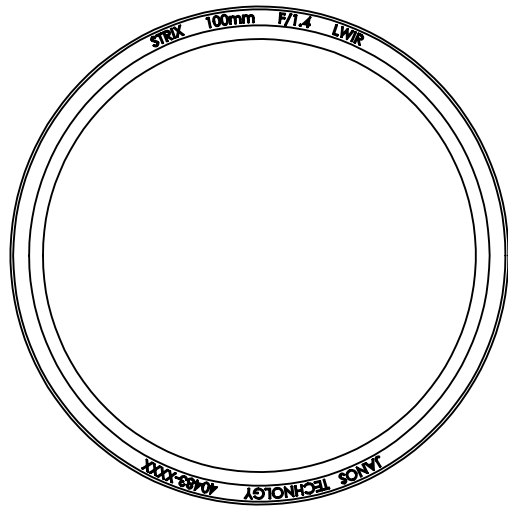
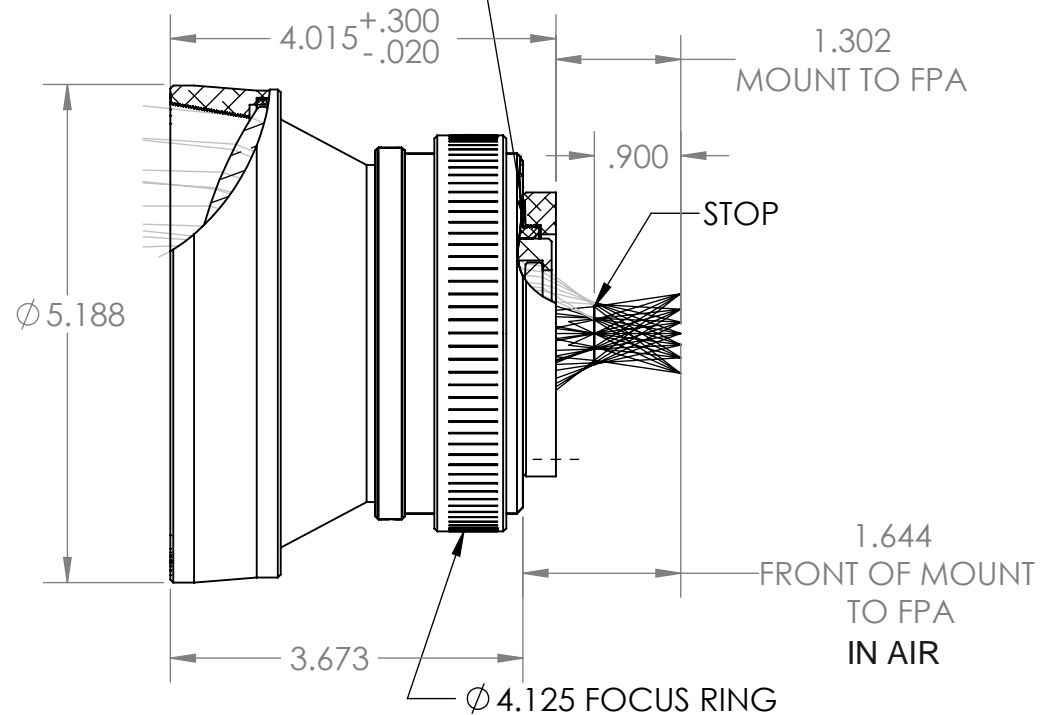



REVISIONS				
ECO	REV.	DESCRIPTION	DATE	APPROVED
6936	B	ADD THREAD INFO	5/5/2021	SCV
6967	C	CHANGING TABLE VALUES	10/27/2021	KKY
7134	D	SEE ECO	5/2/2023	KKY



THREAD ON LENS  
 $\varnothing$ 2.313-36 UNS-2A  
 MAJOR 2.3118/2.3063  
 PITCH 2.2937/2.2896  
 MINOR 2.2787/2.2702



40483-AA1	
FOCAL LENGTH	100mm
CIRCULAR FOV	12°
IMAGE DIAGONAL	21mm
WAVE LENGTH	7-14 $\mu$ m
F#	1.4
ATHERMAL	NO
INTERFACE	2.313-36 UNS-2A
WEIGHT	</.3kg

PROJECTION: THIRD ANGLE		UNLESS OTHERWISE SPECIFIED: DIMENSIONS ARE IN INCHES METRIC EQUIVALENTS IN BRACKETS [mm]		 55 BLACK BROOK ROAD, KEENE, NH 03431 U.S.A.			
<b>PROPRIETARY AND CONFIDENTIAL</b>  THIS DOCUMENT CONTAINS INFORMATION WHICH IS PROPRIETARY AND IS THE PROPERTY OF JANOS TECHNOLOGY INC. AND MAY NOT BE USED, REPRODUCED, OR DISCLOSED IN ANY MANNER WITHOUT THE EXPRESSED WRITTEN PERMISSION OF JANOS TECHNOLOGY INC.	ANG.	X.XX	X.XXX	X.XXXX	TITLE: <b>STRIX SERIES 100mm ICD - JANOS</b>		
	$\pm 1/2^\circ$	$\pm 0.010$	$\pm 0.005$	+0.0005 -0.0000			
	DRAWN	JDF	4/1/20		SIZE	DWG. NO.	REV
	CHECKED	<i>DAM</i>	5/11/23		<b>B</b>	<b>40483-ICD</b>	<b>D</b>
	ENG APPR.						
MFG APPR.							
Q.A.				SCALE: 1:2	CAGE: 66810	SHEET 1 OF 1	