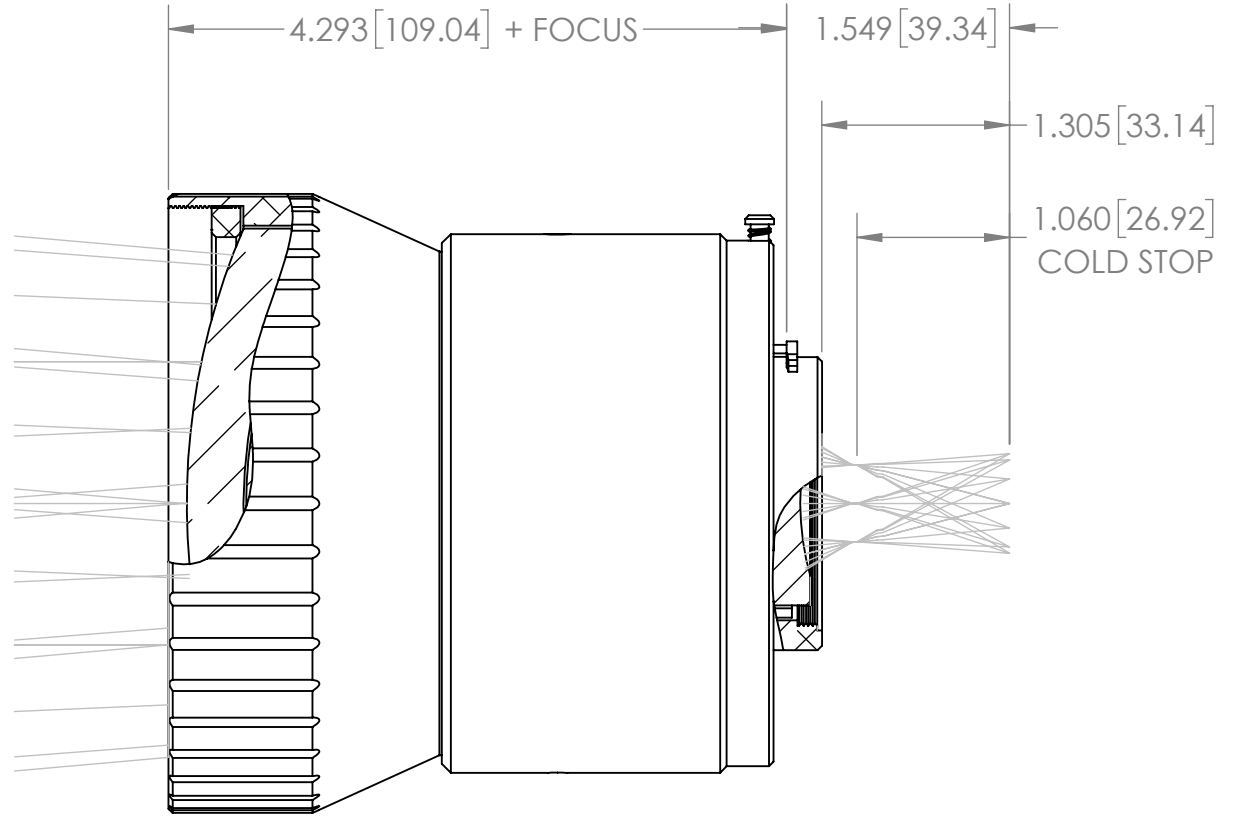
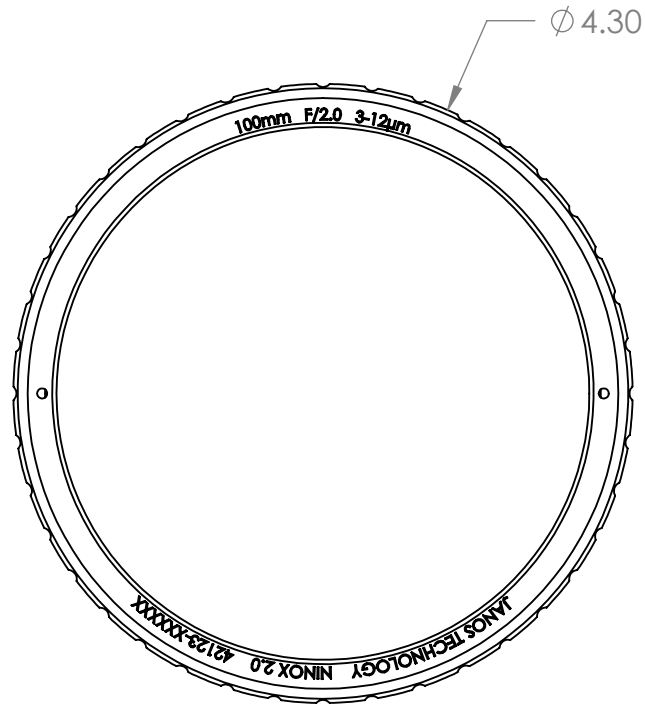


REVISIONS				
ZONE	REV.	DESCRIPTION	DATE	APPROVED
	1	ENGINEERING RELEASE	5/22/17	DAM



42123-AA1	
FOCAL LENGTH	100mm
FOV (Horizontal)	8.8°
Format	1280 X 720
Pixel size	12µm
Wavelength	3-12µm
F#	2.0
Weight	~2100 grams
Athermal	No
Interface Camera	IR BAYONET

PROJECTION: THIRD ANGLE

PROPRIETARY AND CONFIDENTIAL

THIS DOCUMENT CONTAINS INFORMATION WHICH IS PROPRIETARY AND IS THE PROPERTY OF JANOS TECHNOLOGY INC. AND MAY NOT BE USED, REPRODUCED, OR DISCLOSED IN ANY MANNER WITHOUT THE EXPRESSED WRITTEN PERMISSION OF JANOS TECHNOLOGY INC.

UNLESS OTHERWISE SPECIFIED:
DIMENSIONS ARE IN INCHES
METRIC EQUIVALENTS IN
BRACKETS [mm]

ANG.	X.XX	X.XXX	X.XXXX
±1/2°	±0.010	±0.005	+0.0005 -0.0000

DRAWN	DAM	2/24/17
CHECKED		
ENG APPR.		
MFG APPR.		
Q.A.		



55 BLACK BROOK ROAD, KEENE, NH 03431 U.S.A.

TITLE:		100mm 2P0 3-12	
SIZE	DWG. NO.	REV	
A	42123-ICD	1	
SCALE: 3:4	CAGE: 66810	SHEET 1 OF 1	