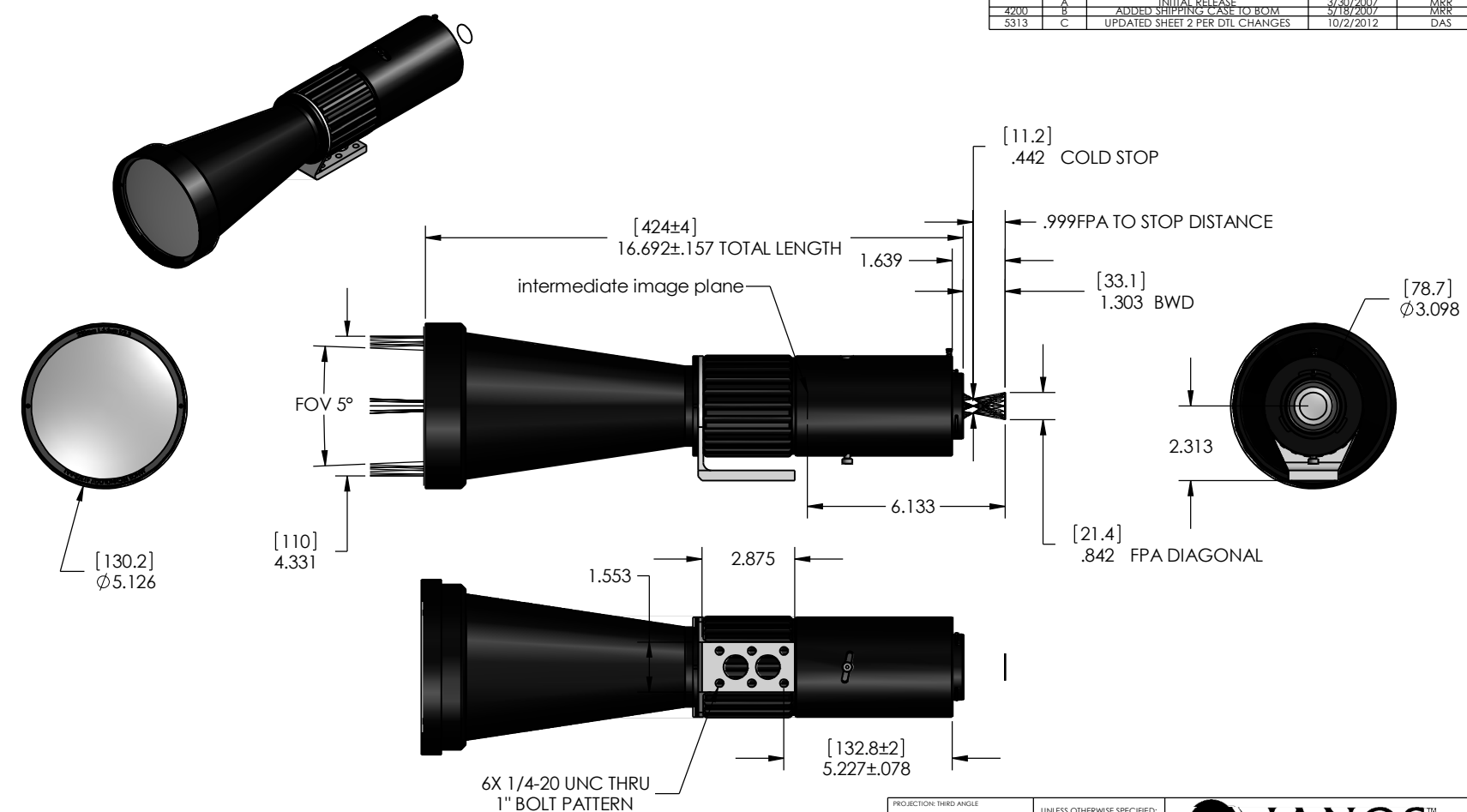


REVISONS		DATE	APPROVED
ECO	REV.	DESCRIPTION	
4200	A	INITIAL RELEASE	MRR
5313	B	ADDED SHIPPING CASE TO BOM	MRR
	C	UPDATED SHEET 2 PER DTL CHANGES	DAS



- NOTES:
1. MASS: 7 lb [3.18kg].
 2. FINISH: PRECISION BLACK ANODIZE.
 3. NOT SHOWN: FRONT AND REAR LENS COVER.

PROJECTION: THIRD ANGLE

UNLESS OTHERWISE SPECIFIED:
DIMENSIONS ARE IN INCHES
METRIC EQUIVALENTS IN
BRACKETS [mm]

JANOS™ TECHNOLOGY
55 BLACK BROOK ROAD, KEENE, NH 03431

PROPRIETARY AND CONFIDENTIAL

THIS DOCUMENT CONTAINS INFORMATION WHICH IS PROPRIETARY AND IS THE PROPERTY OF JANOS TECHNOLOGY INC. AND MAY NOT BE USED, REPRODUCED, OR DISCLOSED IN ANY MANNER WITHOUT THE EXPRESSED WRITTEN PERMISSION OF JANOS TECHNOLOGY INC.

ANG.	X.XX	X.XXX	X.XXXX
±1/2"	±0.010	±0.005	+0.0005 -0.0000
DRAWN	MRR	3/30/07	
CHECKED	JDF	10/11/12	
ENG APPR.	TO	10/26/12	
MFG APPR.	JLT	10/12/12	
G.A.	SS	10/11/12	

TITLE: 250mm 1.5-5µm f/2.3

SIZE	DWG. NO.	REV
B	41273-AA1	C

SCALE: 1:3 FSCM: 8N558 SHEET 1 OF 2